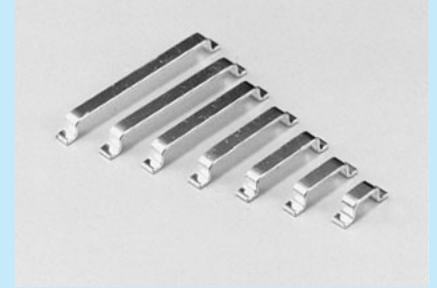


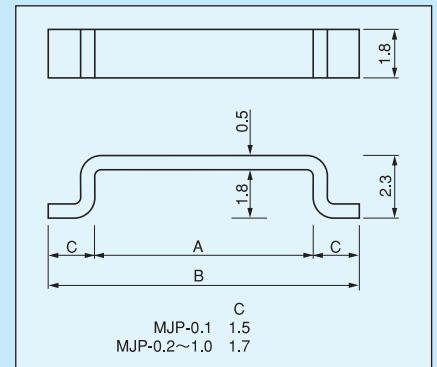
Jumper wire for surface mounting (for power supply) [Part number: MJP series]

- This type is higher than MJ series.
- As it is raised by 1.8 mm from the PC board, there is no problem when it is used on a power supply line.
- Material: Phosphor bronze (Copper for MJP-1.0 only)
- Finish: Tin plating over nickel base
- Rated current: 20A

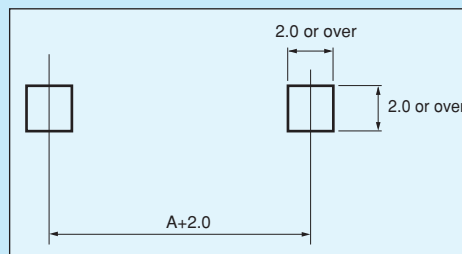


Part number

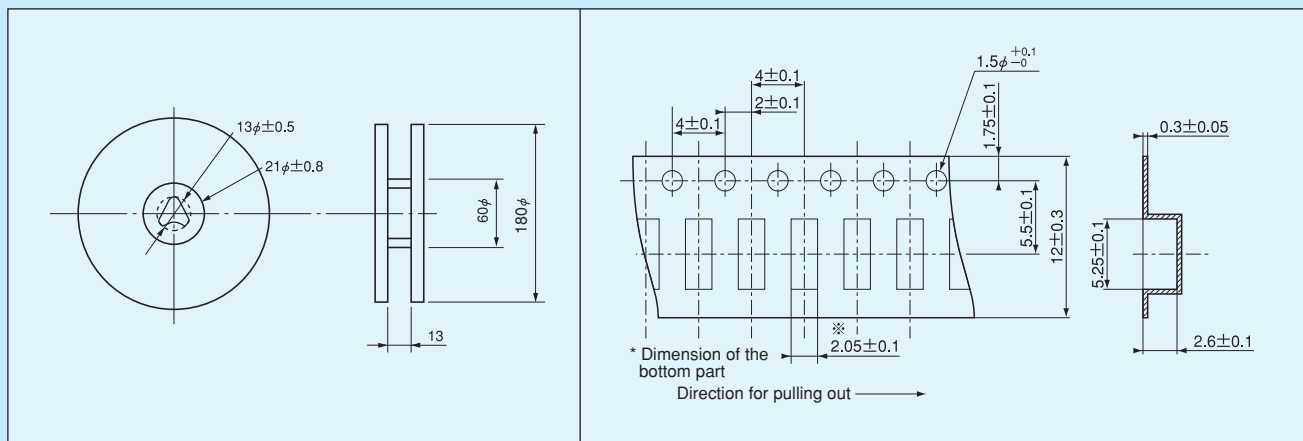
Part number	A	B	Package	Tape width
MJP-0.1	1.85	4.85	Bulk (1000pcs/pack)	
MJP-0.1-T	1.85	4.85	Reel (1500pcs/reel)	12
MJP-0.2	3.08	6.48	Bulk (1000pcs/pack)	
MJP-0.2-T	3.08	6.48	Reel (1500pcs/reel)	12
MJP-0.3	5.62	9.02	Bulk (1000pcs/pack)	
MJP-0.3-T	5.62	9.02	Reel (1500pcs/reel)	16
MJP-0.4	8.16	11.56	Bulk (1000pcs/pack)	
MJP-0.4-T	8.16	11.56	Reel (1500pcs/reel)	24
MJP-0.5	10.7	14.1	Bulk (1000pcs/pack)	
MJP-0.5-T	10.7	14.1	Reel (1500pcs/reel)	24
MJP-0.6	13.24	16.64	Bulk (1000pcs/pack)	
MJP-0.6-T	13.24	16.64	Reel (1500pcs/reel)	24
MJP-0.7	15.78	19.18	Bulk (1000pcs/pack)	
MJP-0.7-T	15.78	19.18	Reel (700pcs/reel)	32
MJP-0.8	18.32	21.72	Bulk (1000pcs/pack)	
MJP-0.8-T	18.32	21.72	Reel (700pcs/reel)	32
MJP-1.0	23.4	26.8	Bulk (1000pcs/pack)	
MJP-1.0-T	23.4	26.8	Reel (700pcs/reel)	44



Recommended land diameter

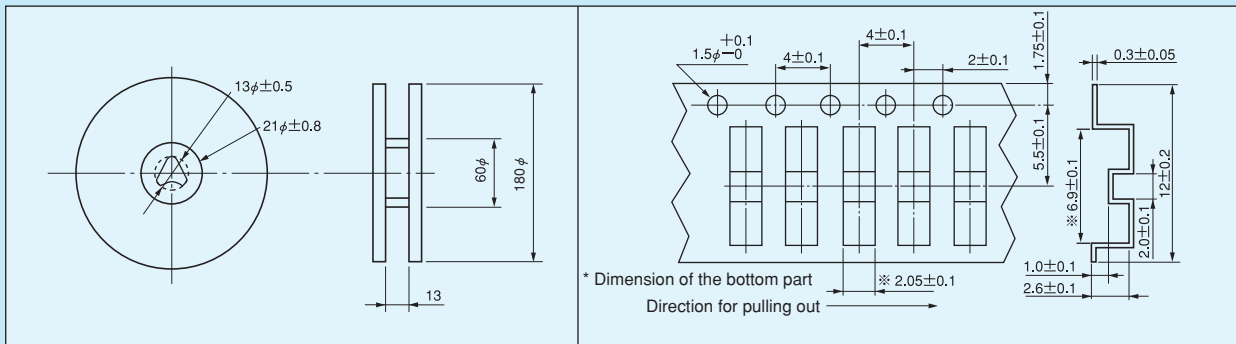


Dimension of MJP-0.1-T

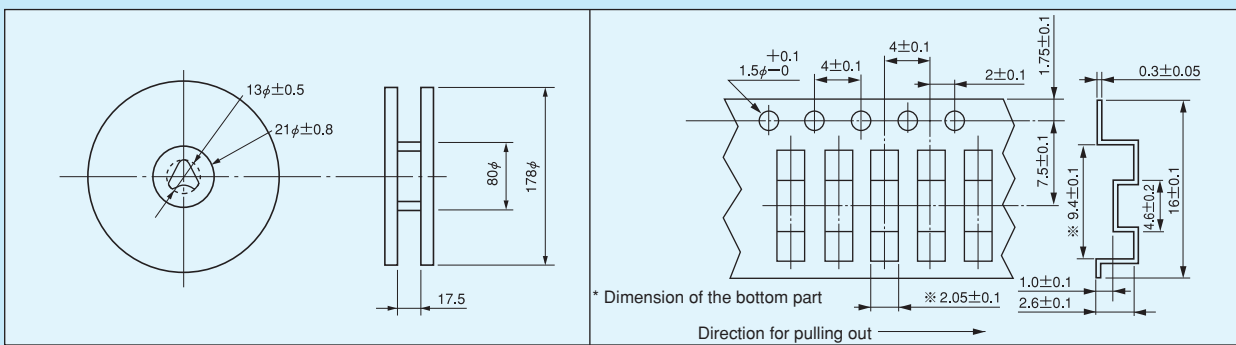


For surface mounting

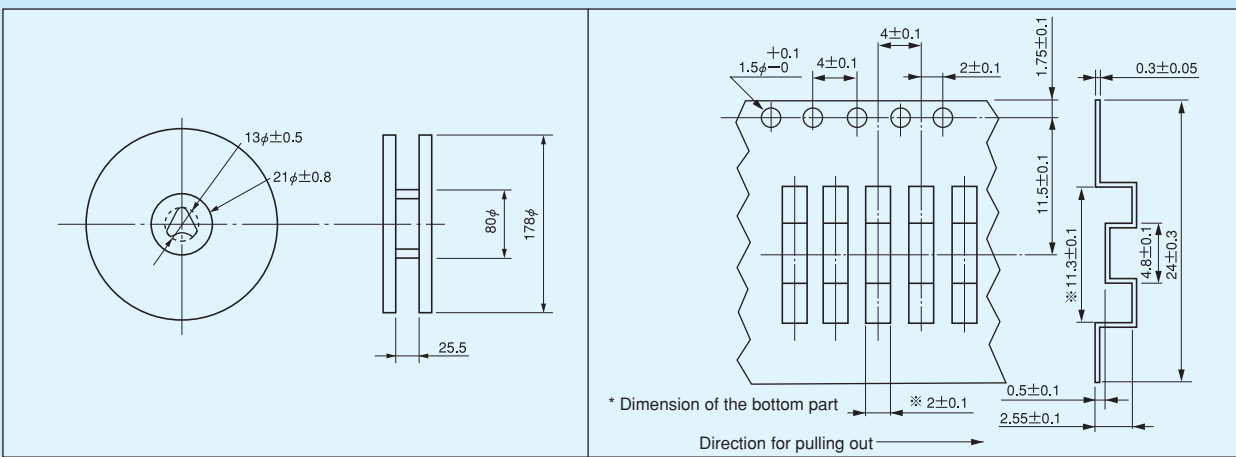
Dimension of MJP-0.2-T



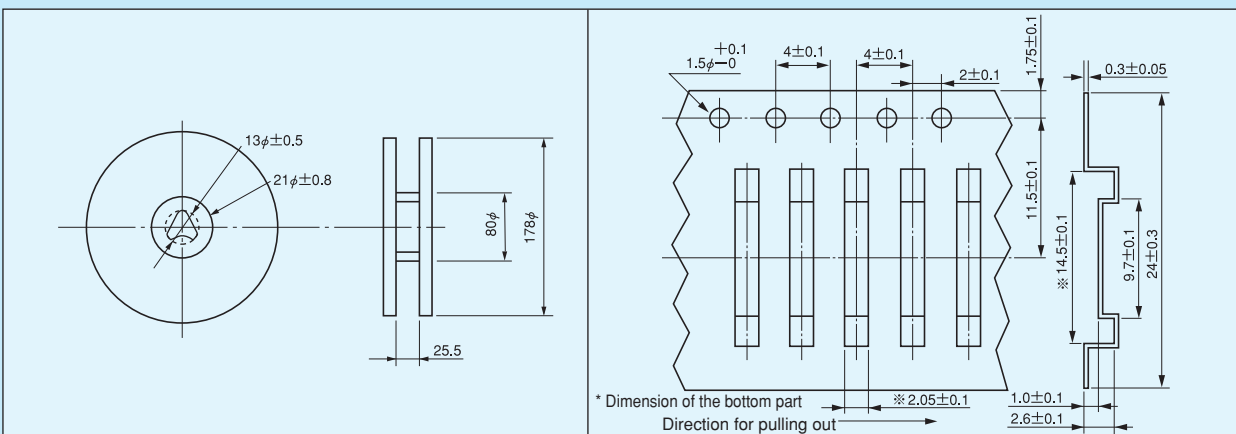
Dimension of MJP-0.3-T



Dimension of MJP-0.4-T

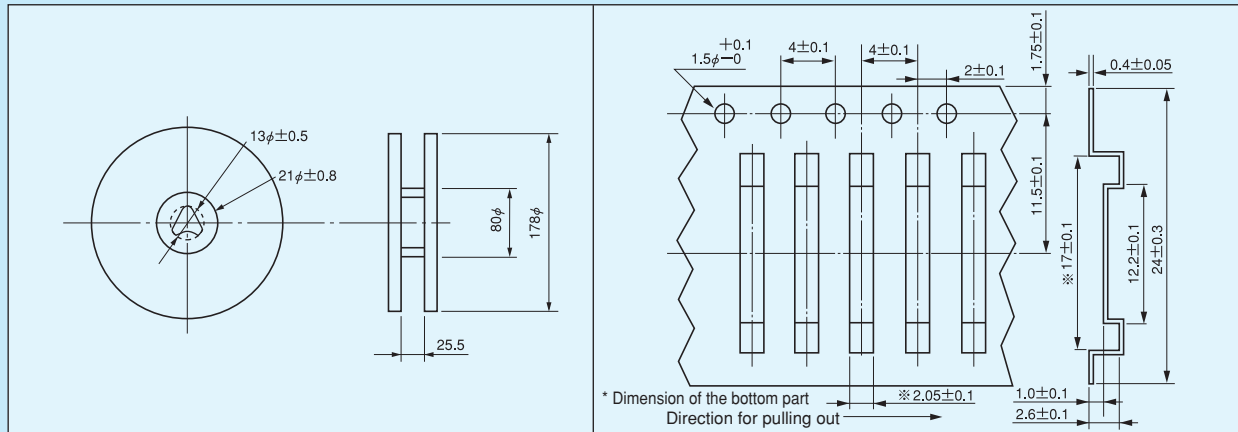


Dimension of MJP-0.5-T

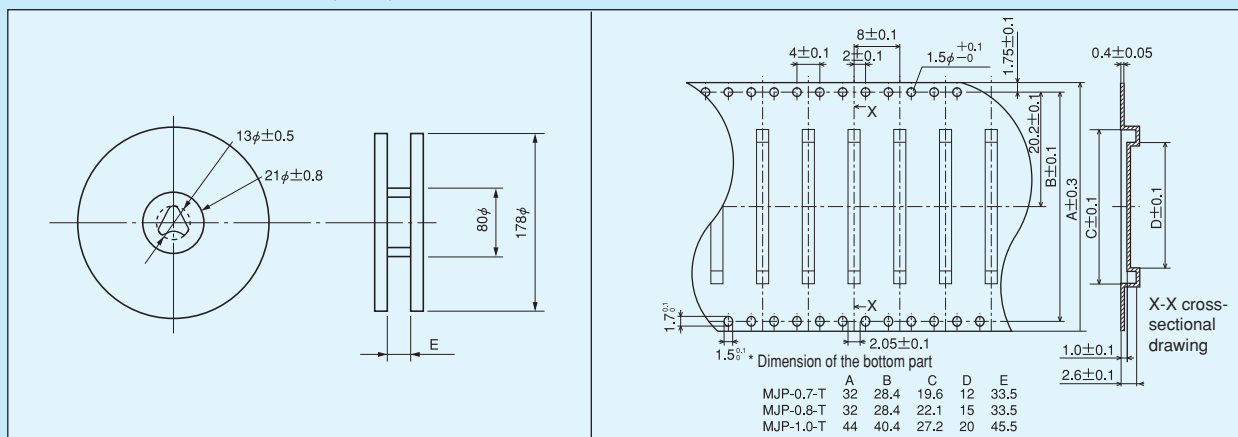


For surface mounting

Dimension of MJP-0.6-T



Dimension of MJP-0.7, 0.8, 1.0-T

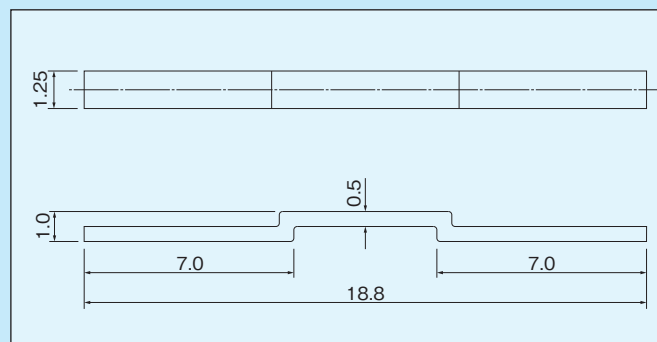
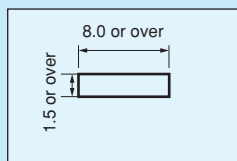


Jumper wire for surface mounting (manual soldering type) [Part number: MJH-18] (1000pcs/pack)

For surface mounting

- This can connect surface mounting boards in the horizontal direction by manual soldering.
- Material: Phosphor bronze
- Finish: Tin plating over nickel base
- Rated current: 7A

Recommended land diameter



Example of usage

