

Screw type socket [Part number: PDN, PDC series] (100pcs/pack)

- This socket can be fixed to a PC board, metal board, etc. with a nut. (PDN series)
- Solder a through hole tap (Part number TH: 1.6-M2, etc.) to a PC board and fit this product on it. This can be easily replaced when replacement is required for testing, etc. (PDC series)
- Material Body: Brass
Contact: Beryllium copper
- Finish Body: Tin plating over nickel base
Contact: Gold plating over nickel base
- Contact resistance: 20mΩ or less
- Insertion / removal frequency: 100 times or over
- Operating temperature range: -40 to +125°C



PDN series



PDC series

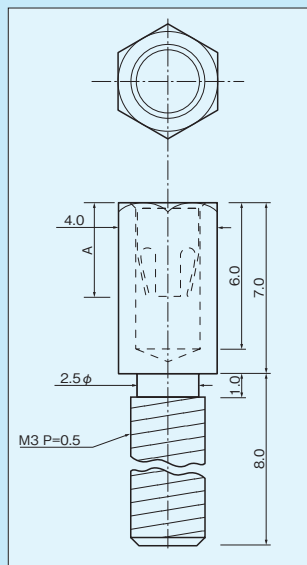
Part number

Part number	A	Adaptive male pin diameter (φ)	Insertion / removal forces (g or over)	Rated current (A)
PDN-10-7	2.6	0.9~1.1	100	5
PDN-15-7	3.3	1.3~1.6	100	15
PDN-20-7	3.9	1.7~2.1	150	20
PDC-10-7	2.6	0.9~1.1	100	5
PDC-15-7	3.3	1.3~1.6	100	15
PDC-20-7	3.9	1.7~2.1	150	20

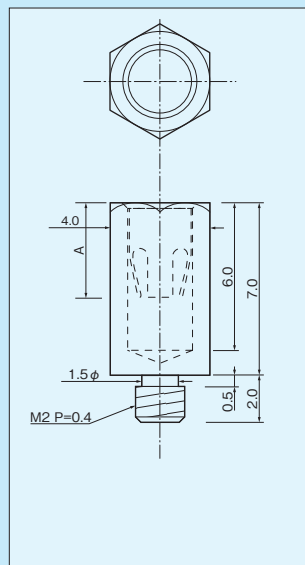
PDN series have with SW, nut, and lug board.

PDC series do not have any items.

Socket pin



PDN series



PDC series

Example of usage



PDN series



PDC series

• TH-1.6-M2 is used on the PC board side.