

## Vertical type connection socket for surface mounting [Part number: PEM-1] (10pcs/pack)

- This socket is vertical type for surface mounting.
- 20 pins are connected with a pitch of 2.54 mm.
- IC can be inserted.
- PC boards can be mounted with two-tiered installation by OQ-13, OQS-13, and MX series.

- Material

Socket part Body: Brass

Contact part: Beryllium copper

Resin part: PCT black (UL94V-0)

- Finish

Socket part Body: Tin plating over nickel base

Contact part: Gold plating over nickel base

- Specification

Rated current: 1A

Rated voltage: 125V AC, DC

Withstand voltage: 1000V AC, DC per minute

Insulation resistance: 500M $\Omega$  or over

Contact resistance: 10m $\Omega$  or less

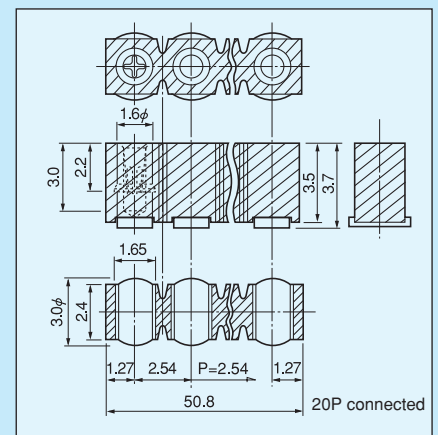
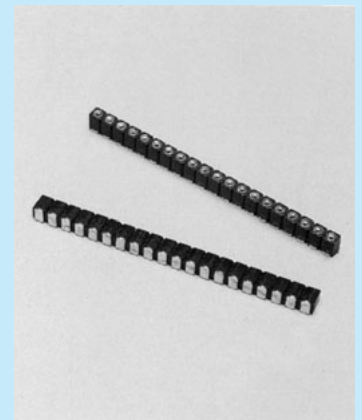
Insertion / removal frequency: 100 times or over

Insertion forces: 70g or over (per pin)

Removal forces: 70g or over (per pin)

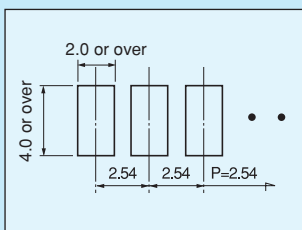
Adaptive male pin diameter:  $\phi$  0.45 to  $\phi$  0.6

Operating temperature range:  $-40$  to  $+125^{\circ}\text{C}$

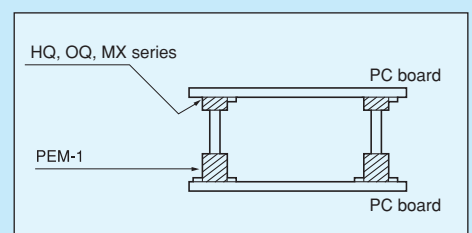


### Part number:PEM-1

### Recommended land diameter



### Example of usage



### How to order

PEM-1-10P



Please fill in the desired number of poles.

\* If the number of pins is not specified, we will deliver by the maximum number of connection, 20P.

### Instructions for mounting

- In the case that a warpage occurs on the resin part during reflow because many pins are connected for use, apply an adhesive to several places and fix.