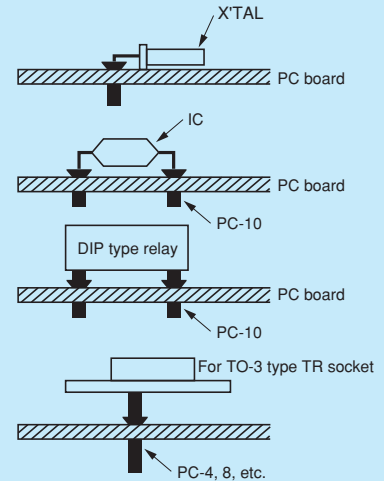


Super small socket pin [PC series] (100pcs/pack)

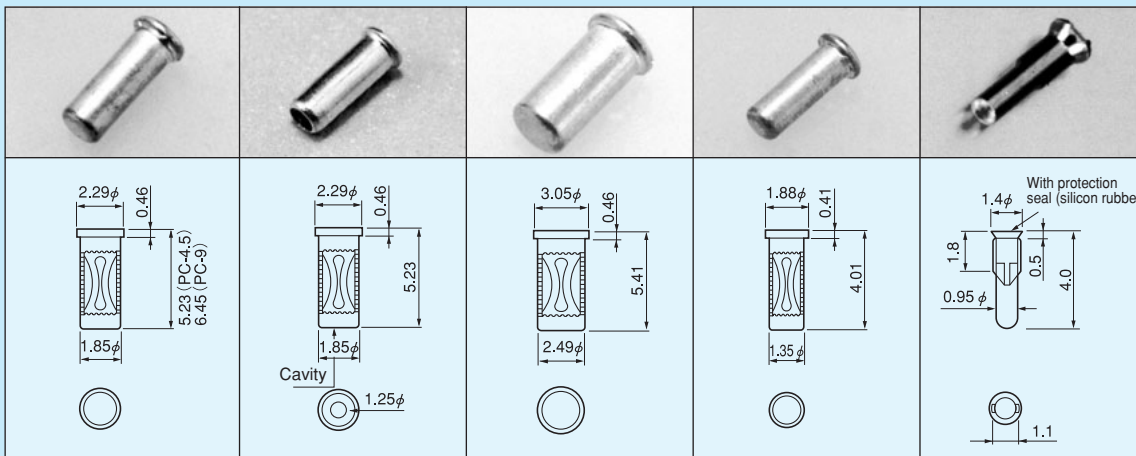
- This is a small socket pin that can be used as the socket pin of DIP relay, X' TAL, IC, etc.
- Please use PK series or CD series (male pin) to fit a slave board.
- As PC-11 has a short leg going through the soldering face side, there is no problem for using a cutter.
- As PC-10 has a protection seal, there is no flux coming up during soldering.
(Please remove the seal after soldering and washing.)

Example of usage



Part number	Plating specification		Adaptive male pin diameter (ϕ)	Male pin inserting depth	Pin bottom condition	Printed board hole diameter (ϕ)
	Contact	Body				
PC- 4	Gold	Tin	0.99~1.04	4.83	Closed	1.9
PC-44	Gold	Tin	0.99~1.04	Free	Opened	1.9
PC- 5	Gold	Tin	0.76~0.81	4.83	Closed	1.9
PC-55	Gold	Tin	0.76~0.81	Free	Opened	1.9
PC- 6	Gold	Tin	1.24~1.30	5.08	Closed	2.6
PC- 7	Gold	Tin	0.60~0.66	3.58	Closed	1.4
PC- 8	Gold	Tin	1.50~1.58	5.08	Closed	2.6
PC- 9	Gold	Tin	0.85~0.95	6.0	Closed	1.9
PC-10	Gold	Tin	0.40~0.50	3.6	Closed	1.0
PC-11	Gold	Tin	0.25~0.45	3.1	Closed	1.0
PC-20	Gold	Tin	0.40~0.60	Free	Opened	1.4

Socket pin



PC-4、5、9

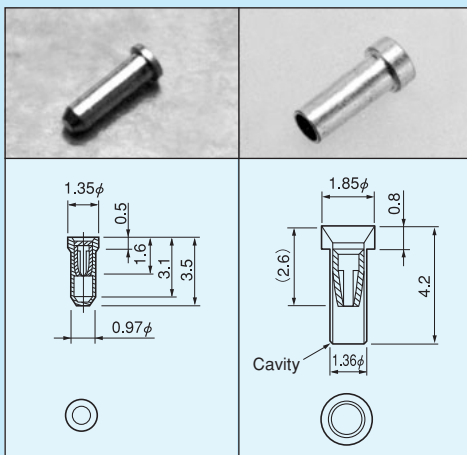
PC-44、55

PC-6、8

PC-7

PC-10

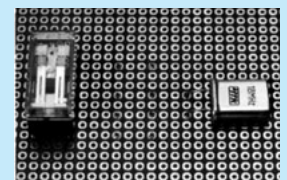
(Can be inserted from the bottom side.)



PC-11

PC-20

Material	Body: Brass, Copper
	Inside contact: Beryllium copper
Finish	Body: Tin plating over nickel base
	Inside contact: Gold plating over nickel base
Rated current	PC-10、11、20 1A
	PC-4、5、7、9、44、55 5A
	PC-6 10A
	PC-8 15A
Contact resistance	10m Ω or less
Insertion / removal frequency	100 times or over
Insertion forces	30g or over
Removal forces	30g or over



Example of PC-10 usage



Example of PC-4 usage