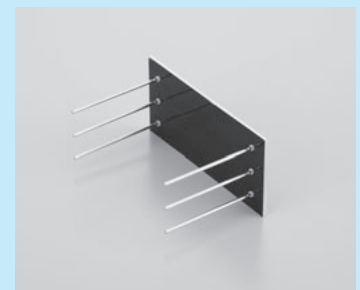
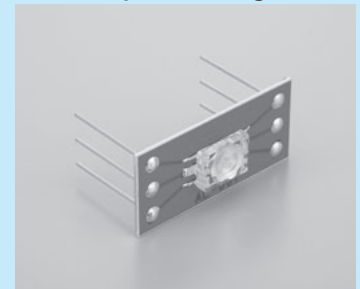


**Terminal for aluminum board [Part number: AW series] (100pcs/pack)**

- This terminal can be fit in a hole of aluminum board.
- The terminal can be pulled to the opposite side of the one-side pattern aluminum board.
- As the part going in the hole is insulated with fluorine, a short will not occur.
- Material Pin part: Brass  
Shaded part: Fluorine (UL94V-0)
- Finish: Gold plating over nickel base
- Rated current: 7A
- Insulation resistance: 500MΩ or over
- Withstand voltage (reference value): 300V AC/DC per minute (depending on the property of the aluminum board)
- Operating temperature range: -40 to +125°C



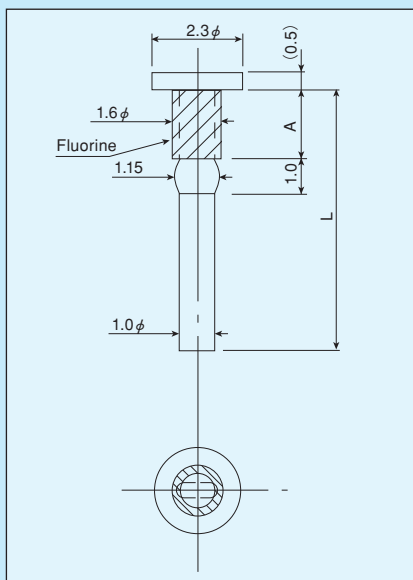
**Example of usage**



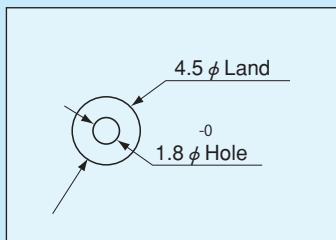
**Part number**

Part number	A	L
AW-1-5	2.0	5.0
7	∕	7.0
10	∕	10
15	∕	15
20	∕	20
25	∕	25
30	∕	30
AW-1.6-5.6	2.6	5.6
8	∕	8.0
10	∕	10
15	∕	15
20	∕	20
25	∕	25
30	∕	30
AW-2-6	3.0	6.0
8	∕	8.0
10	∕	10
15	∕	15
20	∕	20
25	∕	25
30	∕	30

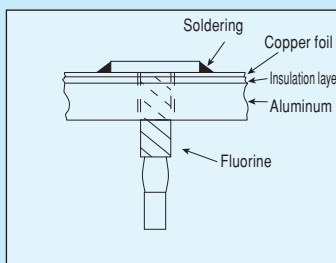
**Dimension**



**Recommended land diameter**



**How to use**



Please solder the upper flange to the copper foil.

For aluminum board