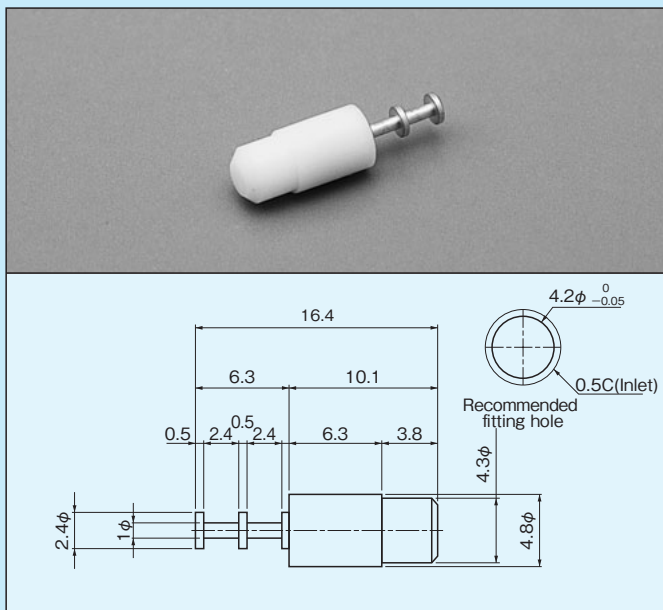


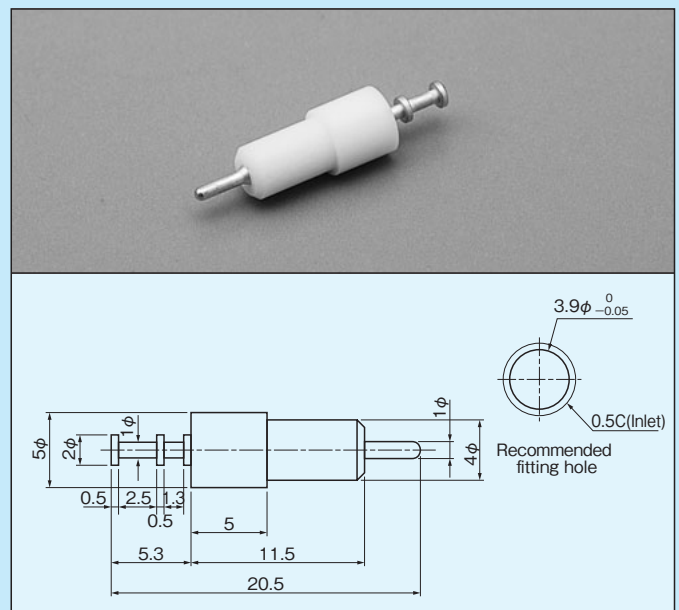
Fluorine terminal for high withstand voltage [FT-5, 6 series] (10pcs/pack)

- This fluorine terminal can be used when high withstand voltage is required.
- This can be fixed by press-fitting.
- Rated current: 5A
- Withstand voltage: 5000V AC, DC per minute
- Material Metal part: Brass
Resin part: Fluorine (UL94V-0)
- Finish: Tin plating over nickel base

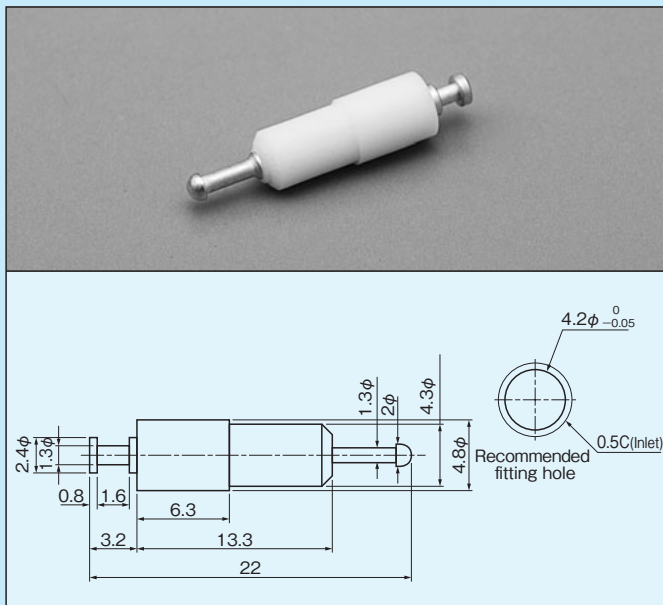
●Part number:FT-5-1



●Part number:FT-6-1



●Part number:FT-6-2



●Part number:FT-6-3

