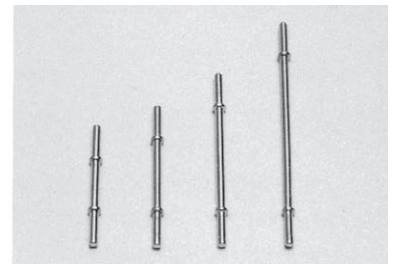
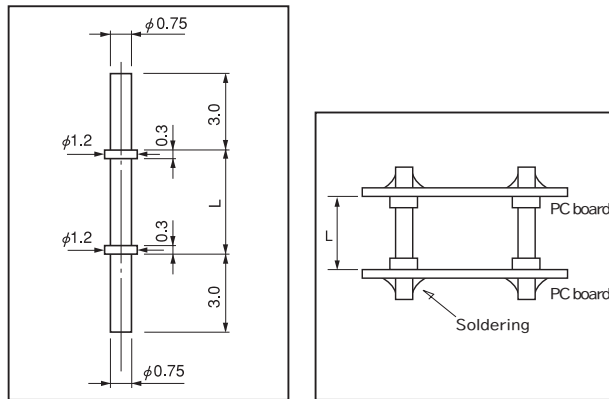


**For two-tiered installation (fixed type)**

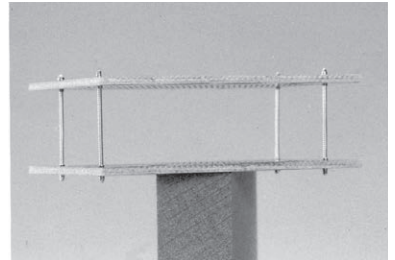
**DC series (1000pcs/pack)**

- This is used for mounting PC boards by two-tiered installation.
- Both the main board and the slave board are fixed by soldering.
- Material: Phosphor bronze
- Finish: Gold plating over nickel base
- Rated current: 5A
- Printed board fitting hole diameter:  $\phi$  0.8

Part No.	L
DC-1	1
DC-2	2
DC-3	3
DC-4	4
DC-5	5
DC-6	6
DC-7	7
DC-8	8
DC-9	9
DC-10	10
DC-12.5	12.5
DC-15	15
DC-17.5	17.5
DC-20	20
DC-25	25



**Example of usage**

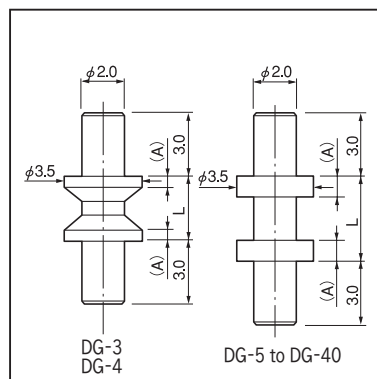


**For two-tiered installation (fixed type)**

**DG series (1000pcs/pack)**

- This is used for mounting PC boards by two-tiered installation.
- External diameter is  $\phi$  2.0 and is recommended when strength is required and when a large current is applied.
- Material: Copper
- Finish: Gold plating over nickel base
- Rated current: 30A
- Printed board fitting hole diameter:  $\phi$  2.1

Part No.	L	(A)
DG-3	3	0.5
DG-4	4	0.5
DG-5	5	0.7
DG-6	6	1.0
DG-7	7	1.0
DG-8	8	1.0
DG-9	9	1.0
DG-10	10	1.0
DG-12.5	12.5	1.0
DG-15	15	1.0
DG-17.5	17.5	1.0
DG-20	20	1.0
DG-25	25	1.0
DG-30	30	1.0
DG-35	35	1.0
DG-40	40	1.0



**Example of usage**

