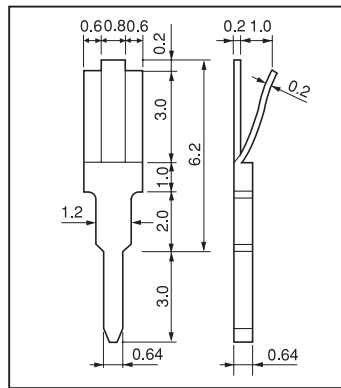
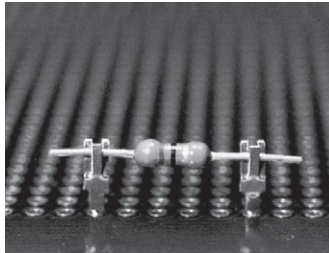
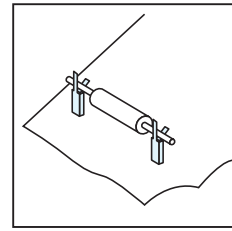


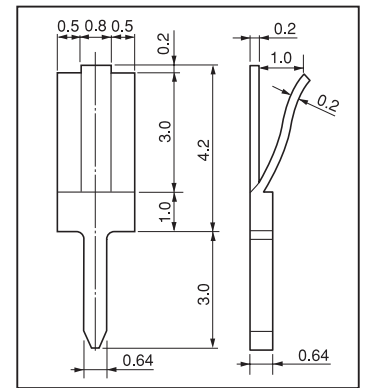
Terminal for one-touch adjustment part

AK series (1000pcs/pack)

- Adjustment parts such as resistor and capacitor can be adjusted without soldering.
- After finishing the adjustment, please solder and fix them.
- Material: Phosphor bronze
- Finish: Tin plating over nickel base
- Printed board fitting hole diameter: ϕ 0.9
- Leg diameter of a part that can be inserted: ϕ 0.3 to ϕ 0.8



Part No.: AK-1-1

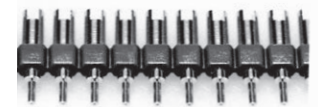


Part No.: AK-2-1

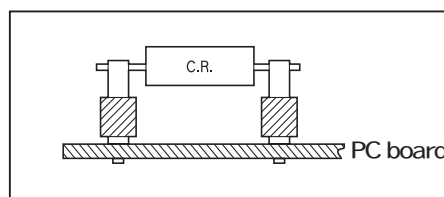
For adjustment part

AM series (10pcs/pack)

- Please use this for fitting an adjustment part such as resistor and capacitor.
- Pitch: 2.54 mm, 20 pins connected
- Possible to cut it neatly by using a nipper for mold cutting (Part number: MOC-3)
- Material Pin: Brass, Finish: Gold plating over nickel base
Resin: PBT (UL94V-0), red
- Operating temperature range: - 40 to + 125°C



20 pins connected



Part No.	A	B	C	Printed board fitting hole diameter
AM-1-1	0.8	2.5	1.0	ϕ 0.8
AM-1-2	1.0	5.0	1.5	ϕ 0.8
AM-1-3	1.0	8.0	1.5	ϕ 0.8

