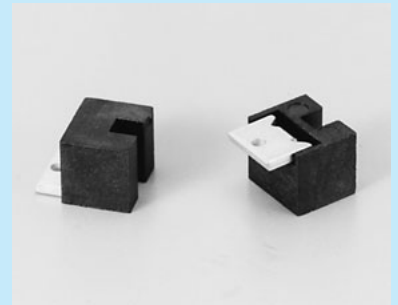
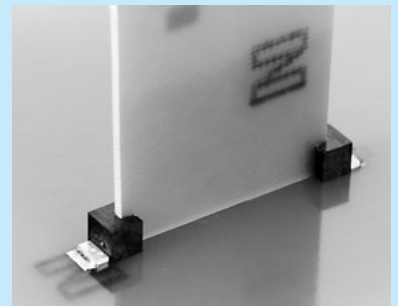


Vertical fitting mount for PC board [AGH series] (10pcs/pack)

- This product is a mount for supporting when a PC board is vertically fit to a surface mounting PC board.
- Material Resin part: PPS black (UL94V-0)
Pin part: Phosphor bronze (Tin plating over nickel base)
- Operating temperature range: -40 to +125°C

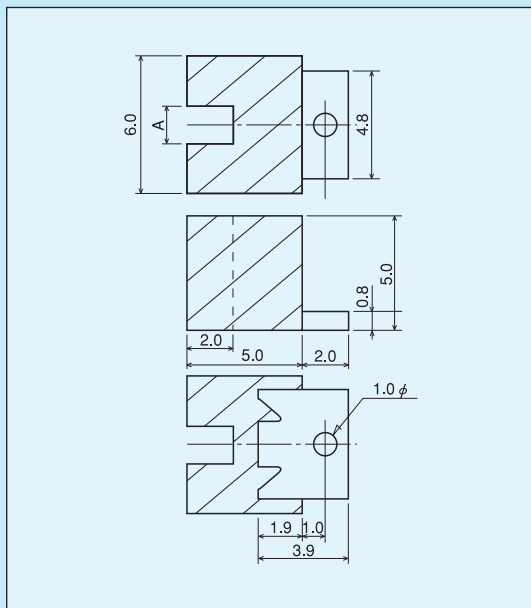


Example of usage

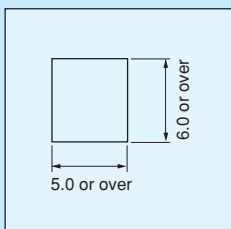


Part number

Part number	A	Adaptive printed board thickness
AGH-0.6	0.7	0.6t
AGH-0.8	0.9	0.8t
AGH-1.0	1.1	1.0t
AGH-1.2	1.3	1.2t
AGH-1.6	1.7	1.6t



Recommended fitting land



Recommended metal mask thickness
150 μ to 200 μ

For surface mounting