

Socket type (ϕ 2.0) [Part number: PN-7-1-A] (10pcs/pack)

- This is a socket type and OP-7-1, OP-7-2 and OP-7-2-100 (with electric wire) are adaptive for the male side.
- A socket is provided also on the opposite side (the side of ϕ 1.0) and OR-5-3 and OR-5-3-50 (with electric wire) are adaptive.
- Material Pin part: Phosphor bronze
Resin part: PPO (UL94V-1)
- Finish Pin part: Gold plating over nickel base
- Resin color: Black, red, yellow, green, blue and white
- Adaptive male pin diameter: ϕ 2.0
- Insertion forces: 800g or less
- Removal forces: 100g or over
- Insertion / removal frequency: 1000 times or over
- Rated current: 10A
- Contact resistance: 20m Ω or less
- Insulation resistance: 500M Ω or over
- Withstand voltage: 1000V AC, DC per minute
- Operating temperature range: -40 to $+125^{\circ}\text{C}$
- Range within which a panel can be fit: 0.5 mm to 5.0 mm
- Panel fitting hole diameter: ϕ 6.0

How to order

PN-7-1-A Red

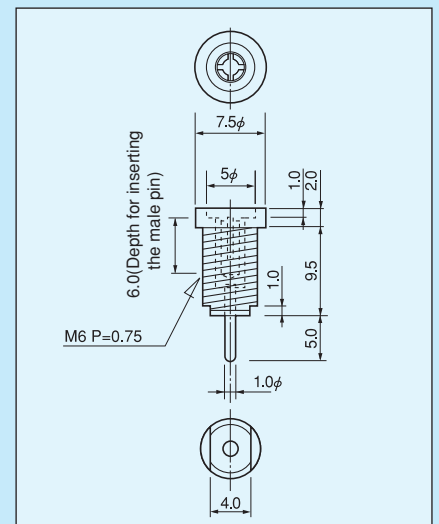


Please specify the resin color.
(Black, red, yellow, green, blue or white)

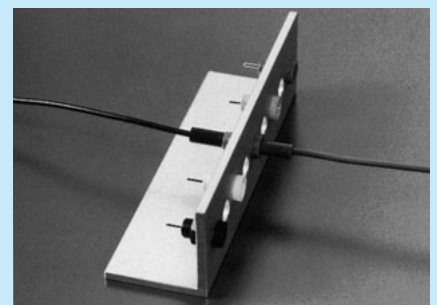
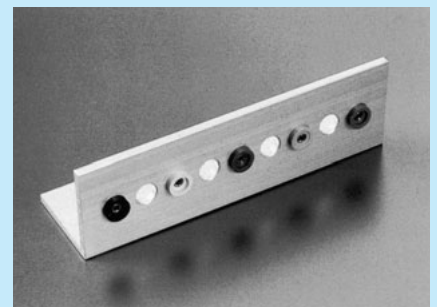
Instructions for use

- Please use with the tightening torque of 3kg.f.cm (29.4 N.cm) or less when fitting.

★The conventional type has no part for holding when tightening a nut. Therefore, a part for using spanners is added this time at the back edge to fix with spanners. (Part number: PN-7-1-A)



Example of usage



When OP-7-2-100 (with electric wire) is used for the male side and OR-5-3-50 (with electric wire) is used for the opposite side