

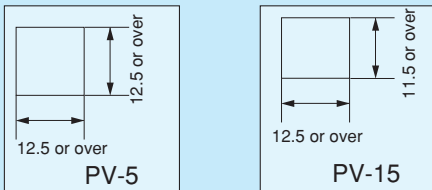
Power supply terminal for surface mounting [PV-5, PV-15 series]

- This is used for supplying power to a surface mounting board.
- Please fit a crimping terminal (for M5) at the edge of electric wire and tighten it with a M5 screw.
- Material: Copper
- Finish: Tin plating over nickel base
- Rated current: 60A

Part number

Part number	Package
PV-5	Bulk (100pcs/package)
PV-5-T	Reel (200pcs/reel)
PV-15	Bulk (100pcs/package)
PV-15-T	Reel (200pcs/reel)

Recommended land diameter



Recommended cream solder thickness

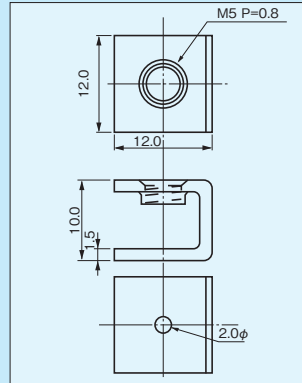
150 μ to 200 μ

Tightening torque

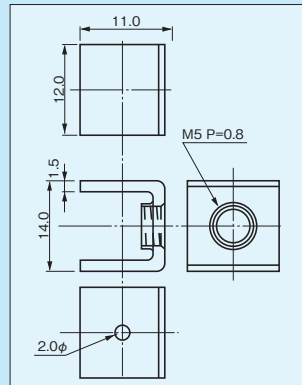
15kgf-cm (147N-cm) or less

Instructions for use

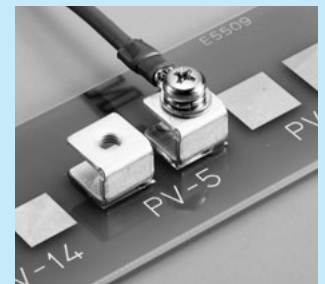
Adsorption film is put on the screw head part of PV-5-T.
Please remove the film after reflow.



PV-5



Example of usage

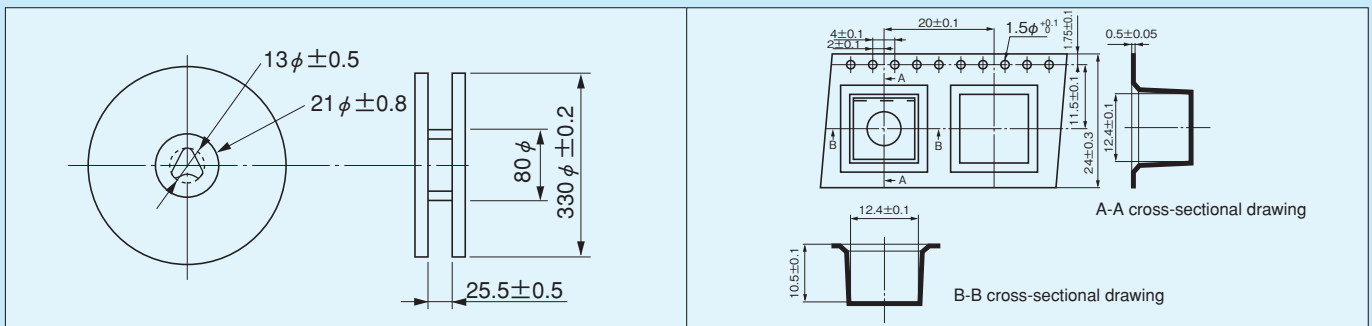


PV-5

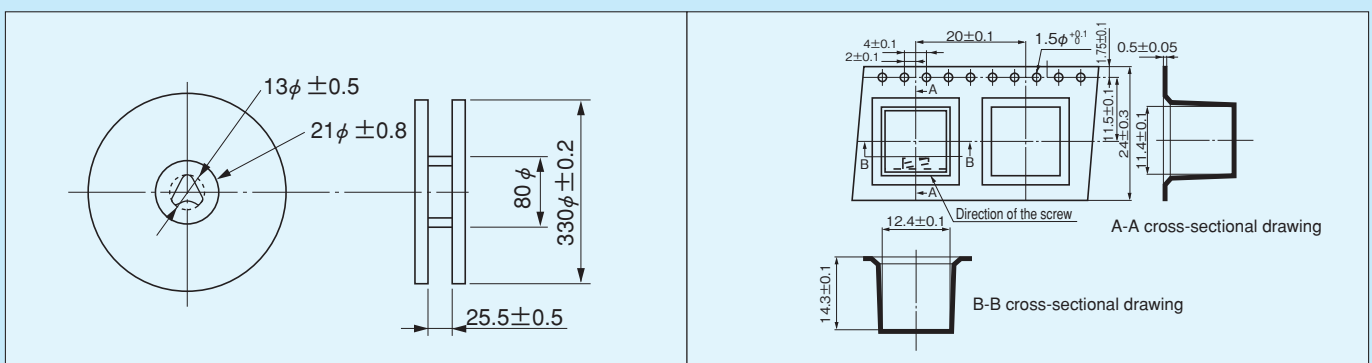


PV-15

Dimension of PV-5-T



Dimension of PV-15-T



For surface mounting