

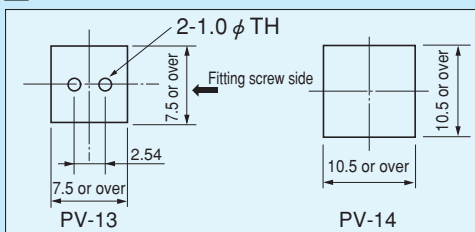
**Power supply terminal for surface mounting [PV-13, PV-14 series]**

- This is used for supplying power to a surface mounting board from the horizontal direction.
- Pushing-out pins for positioning are attached to two positions. (PV-13 type)
- Please fit a crimping terminal (for M3) at the edge of electric wire and tighten with a M3 screw. (PV-13)
- Please fit a crimping terminal (for M4) at the edge of electric wire and tighten with a M4 screw. (PV-14)
- Material: Brass (PV-13), Copper (PV-14)
- Finish: Tin plating over nickel base
- Rated current: 20A (PV-13)  
30A (PV-14)

**Part number**

Part number	Package
PV-13	Bulk (100pcs/pack)
PV-13-T	Reel (500pcs/reel)
PV-14	Bulk (100pcs/pack)
PV-14-T	Reel (350pcs/reel)

**Recommended land diameter**

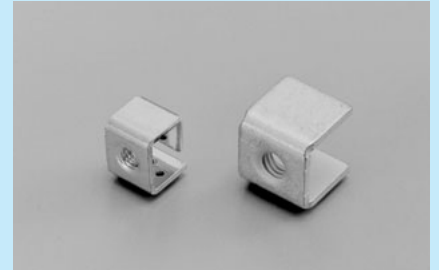
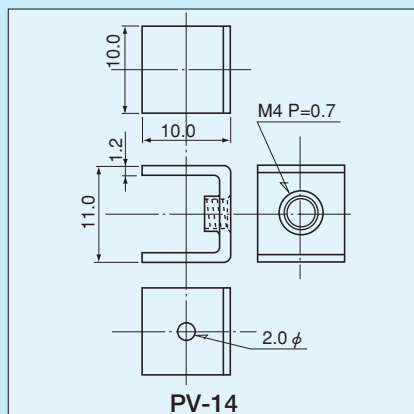
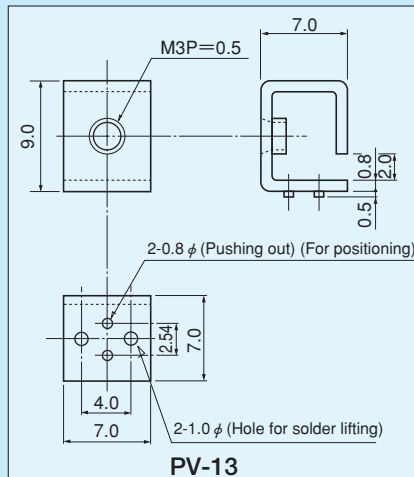


**Recommended cream solder thickness**

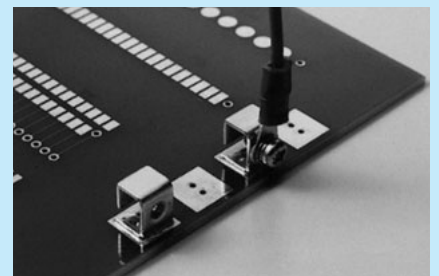
150 μ to 200 μ  
(Please apply evenly without avoiding the through hole.) (PV-13)

**Tightening torque**

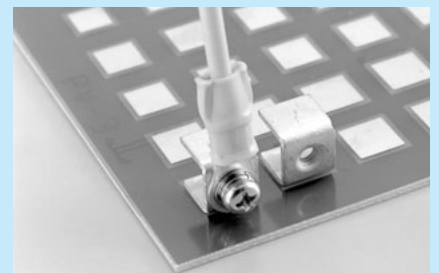
5kg.f.cm (49N-cm) or less (PV-13)  
5kg.f.cm (49N-cm) or less (PV-14)



**Example of usage**

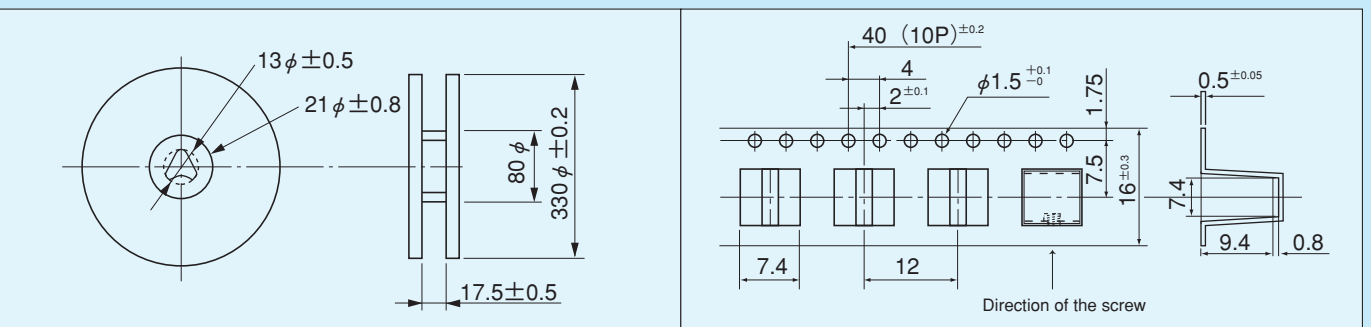


PV-13



PV-14

**Dimension of PV-13-T**



**Dimension of PV-14-T**

