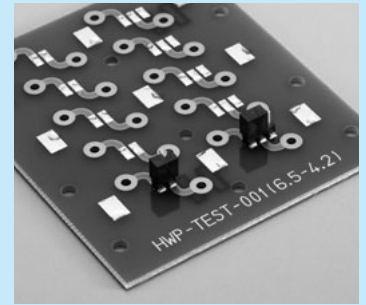


Tape-and-reel with a combination of HWP-(2P, 3P)-G and JS-1A

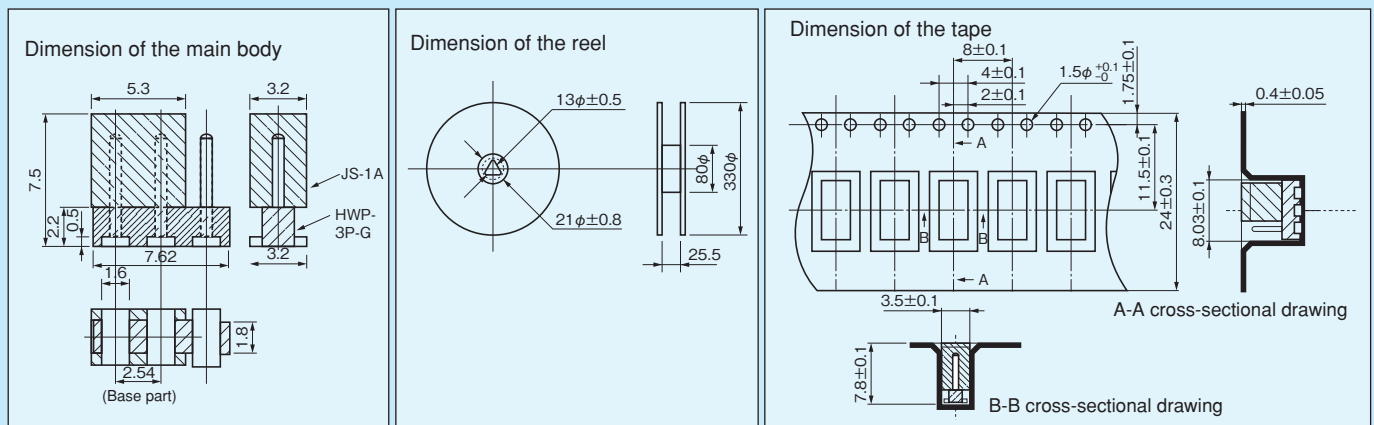
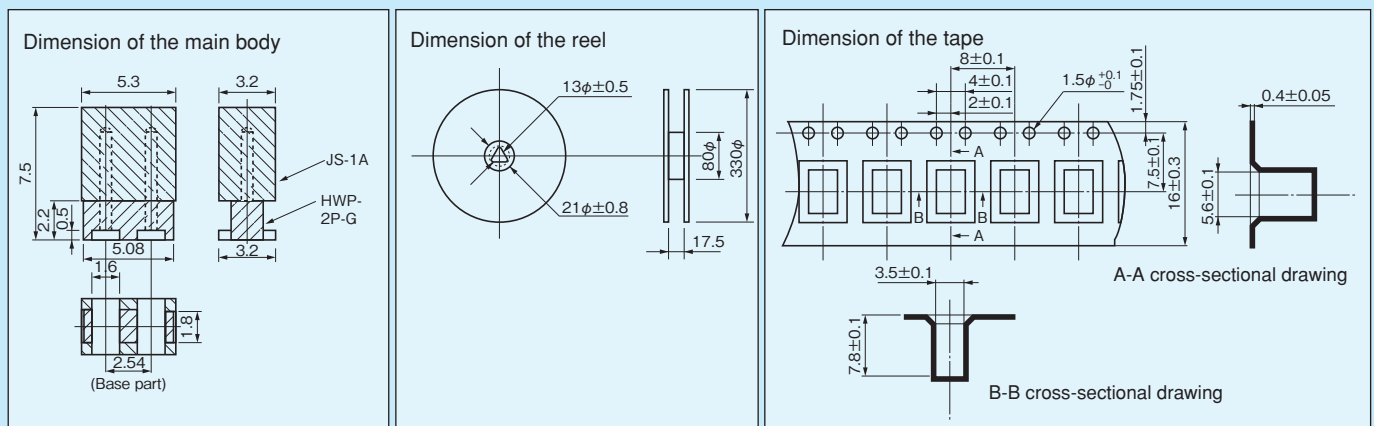
- This type is configured by inserting JS-1A to HWP-2P-G or HWP-3P-G and carrying out taping.
- This can be mounted on a board by using a mounter to reflow.

Part number

Part number	Package
HWP-2-J-G	Reel (800pcs/reel)
HWP-3-J-G	Reel (800pcs/reel)



HWP-2-J-G



For surface mounting

Jumper socket (Pitch: 2.54 mm) [JS-1A] (100pcs/pack)

- This is for replacing with the jumper socket of HWP-2-J-G and HWP-3-J-G.
- Material Contact part: Phosphor bronze, Resin part: LCP Black (UL94V-0)
- Finish Contact part [Contact part]: Gold plating over nickel base
Contact part [Excluding the contact part]: Nickel plating
- Rated current: 3A
- Rated voltage: 250V AC, DC250V AC, DC
- Contact resistance: 20mΩ or less
- Adaptive male pin: 0.64□、P=2.54mm
- Insertion / removal forces: 70g or over
- Operating temperature range: -40 to +125°C

