

Terminal for vertical fitting of a PC board [HTR-0.8]

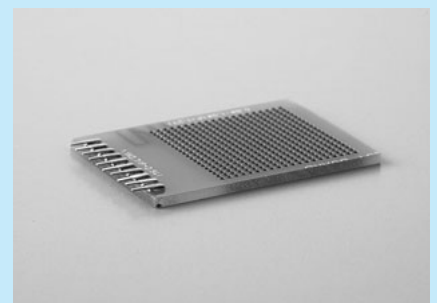
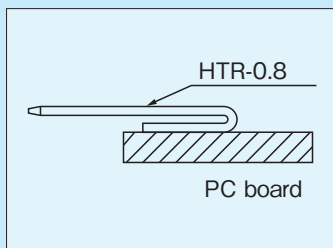
- By mounting the terminal part on the through hole board by flow after mounting it to the surface mounting board with an automatic mounting machine, the board can be vertically fit.
- You can use with any pitch.
- Material: Phosphor bronze
- Finish: Tin plating over nickel base
- Rated current: 2A
- Printed board fitting hole diameter: $\phi 0.8$
- Operating temperature range: -40 to $+125^{\circ}\text{C}$
- Please use the automatic mounting machine of automatic recognition type.



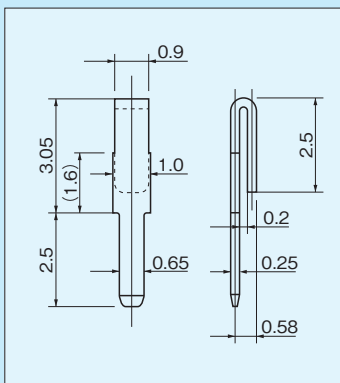
Part number

Part number	Package
HTR-0.8	Reel (2500pcs/reel)
HTR-0.8-B	Bulk (1000pcs/pack)

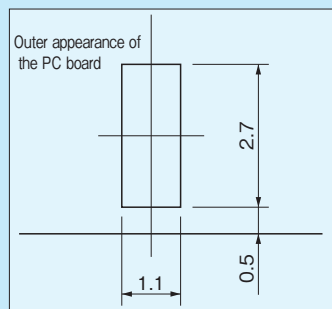
Example of usage



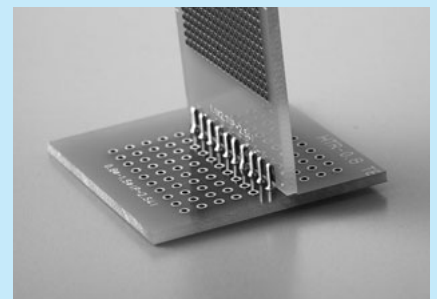
Dimension



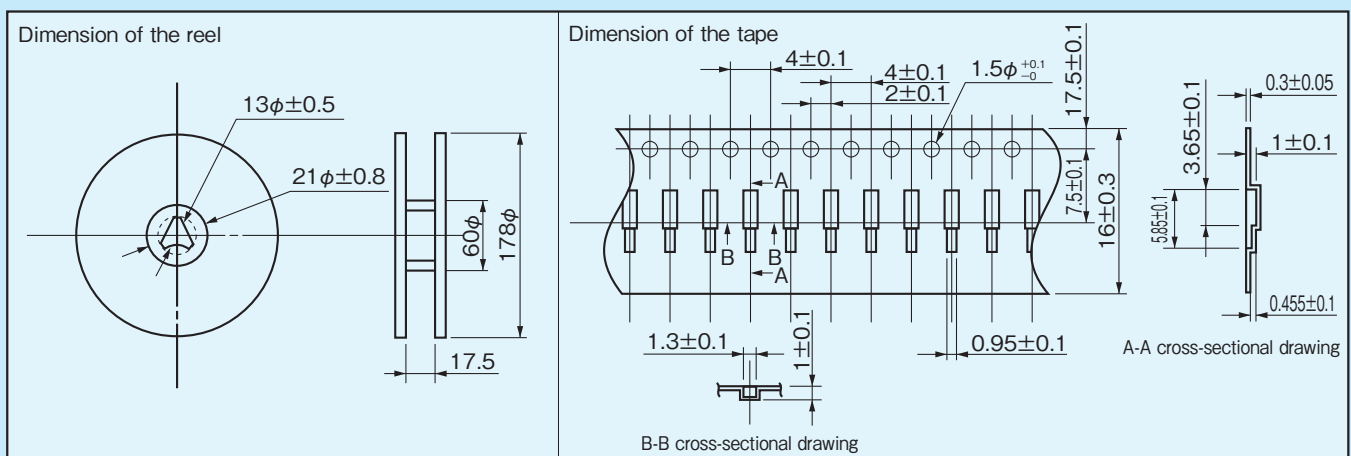
Recommended land diameter



Example of usage



For surface mounting (vertical fitting type)



Instructions for use

Depending on the mounting condition, the following cases may occur. Please evaluate the mounting check in advance.

- In the case that it is used with a narrow pitch (2 mm or less), the terminal may contact to the next pin.
- During the flow, soldering of the surface mounting board may be melted and the terminal may be taken off.