

LED fitting bracket for panel (for ϕ 5) [Part number: PZ-5] (10pcs/pack)

- This is used for one-touch fitting of LED for ϕ 5 to a panel.
- By fitting LED to this product and pushing it into the deep side after inserting a spring washer, it can be fixed to a panel with one touch.
- Six colors (black, red, yellow, blue, green and white) are available for the bracket.
- Please confirm the mountable size of LED prior to ordering.
- Material Resin part: PBT (UL94V-0)

Spring washer: Stainless steel

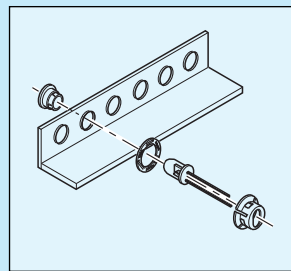
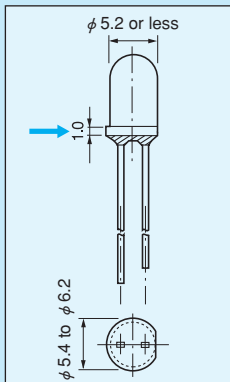
- Thickness of panel that can be fit: 1.0 mm to 2.0 mm
- Panel fitting hole diameter: ϕ 7.4 to ϕ 7.5
- Operating temperature range: -40 to $+125^{\circ}\text{C}$



Example of usage

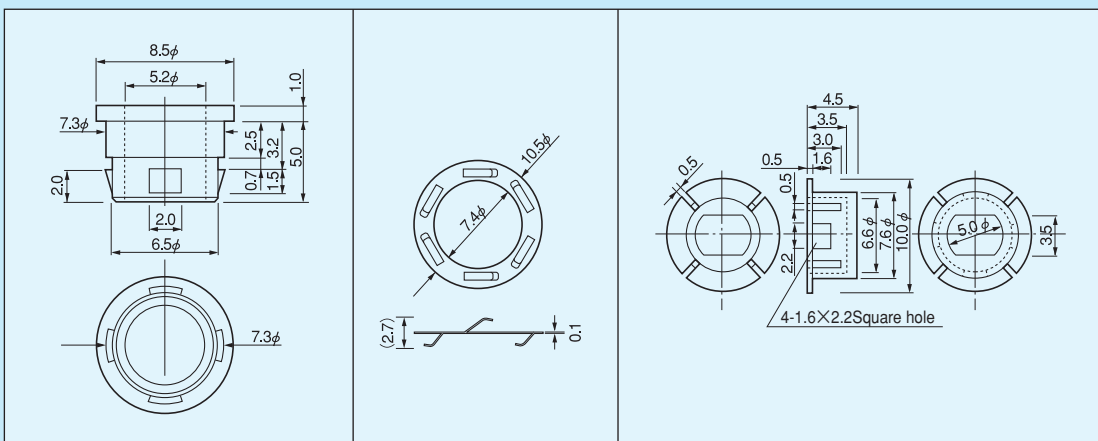


Mountable size of LED



Fitting method

Dimension

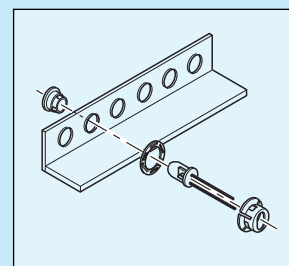


How to order

PZ-5 Red



Please specify the color. (Black, red, yellow, green, blue or white)



As the size varies depending on LED manufacturer, please confirm whether it can be used by actually fitting prior to use.