

Mount of bar for high current [PWA, PWB, PWH, PWT series] (10pcs/pack)

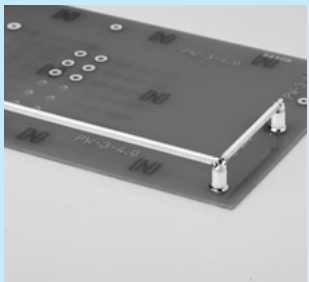
- This is used for wiring by raising a bar for high current above a PC board.
- PWA and PWT are through hole type. PWB and PWH are surface mounting type.
- PWA and PWB are insulated from a PC board.
- Material Metal part: Brass
Resin part: Fluorine (UL94V-0)
- Finish: Tin plating over nickel base
- Rated current: 50A
- Withstand voltage: 1000V AC, DC per minute (PWA, PWB)
- Operating temperature range: -40 to +125°C



Example of usage



Combination of PWT-5-5 and PW series

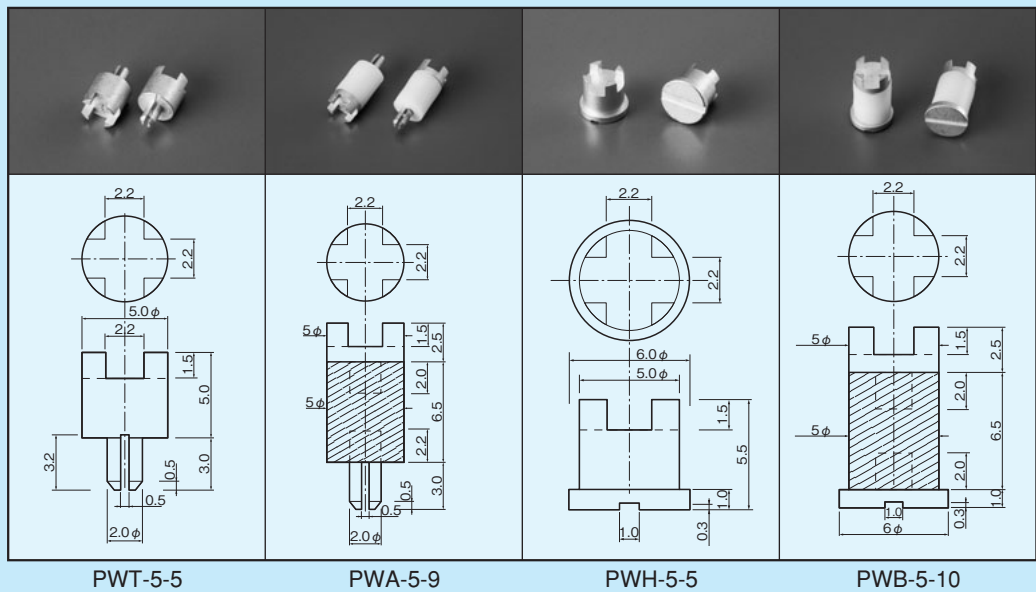


As the upper part of the insulation type can turn, please turn the lower part after soldering and align.

Part number

Part number	Fitting hole	Fitting land	Type
PWT-5-5	φ 2.0 ⁰ TH φ 6 Land	—————	Conduction
PWA-5-9	φ 2.0 ⁰ TH φ 5 Land	—————	Insulation
PWH-5-5	—————	φ 7 Land	Conduction
PWB-5-10	—————	φ 7 Land	Insulation

Dimension



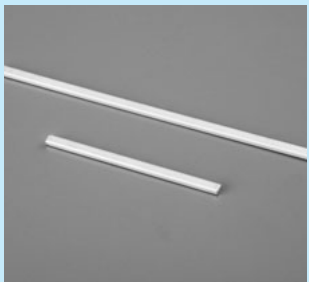
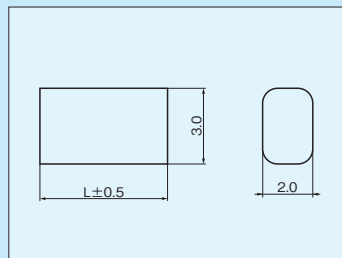
Bar for high current (10pcs/pack)

- This bar is used for the items described above.
- Material: Copper
- Finish: Tin plating over nickel base
- Rated current: 50A

Part number

Part number	L
PW-3-2.0	50.8
PW-3-4.0	101.6

Dimension



For surface mounting