

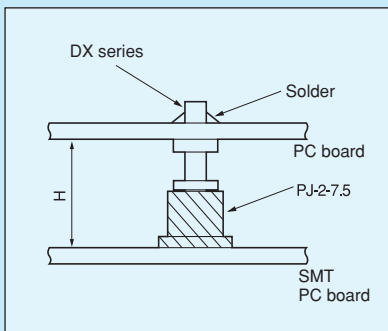
Power supply terminal for two-tiered installation [DX series] (1000pcs/pack)

- This terminal can supply power by combining with PJ-2-7.5 to two-tiered PC boards.
- By combining with PD-191 to PD-199, it can supply power in the same manner as described above.
- Material: Copper
- Finish: Gold plating over nickel base
- Rated current: 30A

Part number

Part number	L	H
DX- 1.5	1.5	9
2.5	2.5	10
3.5	3.5	11
4.5	4.5	12
5.5	5.5	13
6.5	6.5	14
7.5	7.5	15
8.5	8.5	16
9.5	9.5	17
10.5	10.5	18
12.5	12.5	20
17.5	17.5	25
22.5	22.5	30

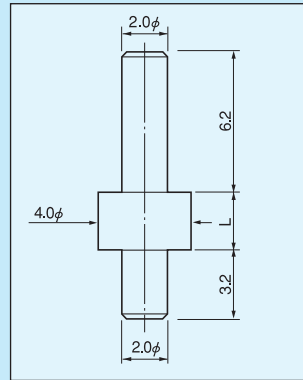
* The dimension H is the distance between the two-tiered PC boards when DX series are combined with the socket PJ-2-7.5



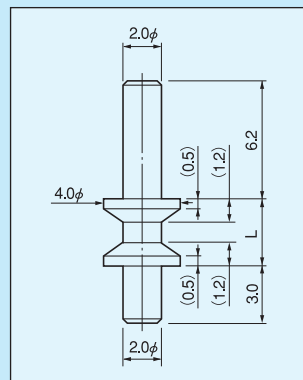
Example of usage



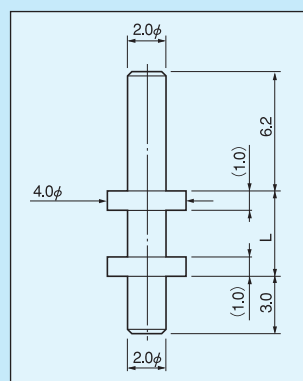
When combined with PJ-2-7.5



DX-1.5
2.5



DX-3.5
4.5



DX-5.5 to 22.5