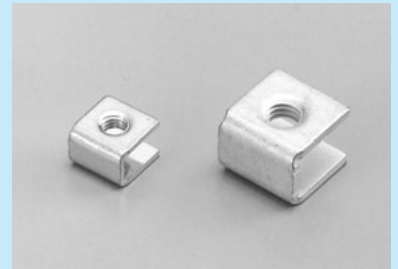


Power supply terminal for surface mounting [PV-3, PV-4 series]

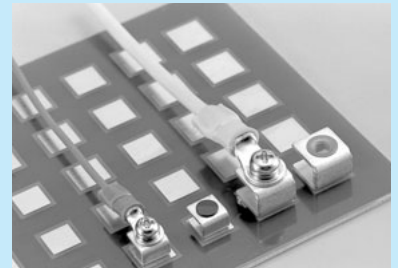
- This is used for supplying power to a surface mounting board.
- Please fit a crimping terminal (for M3) at the edge of electric wire and tighten it with a M3 screw. (PV-3)
- Please fit a crimping terminal (for M4) at the edge of electric wire and tighten it with a M4 screw. (PV-4)
- Material: Brass (PV-3), Copper (PV-4)
- Finish: Tin plating over nickel base
- Rated current: 20A (PV-3)
30A (PV-4)



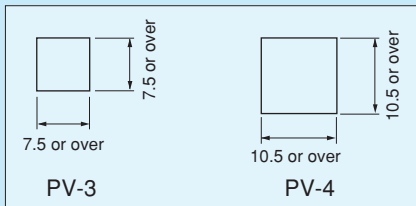
Part number

Part number	Package
PV-3	Bulk (100pcs/pack)
PV-3-T	Reel (800pcs/reel)
PV-4	Bulk (100pcs/pack)
PV-4-T	Reel (450pcs/reel)

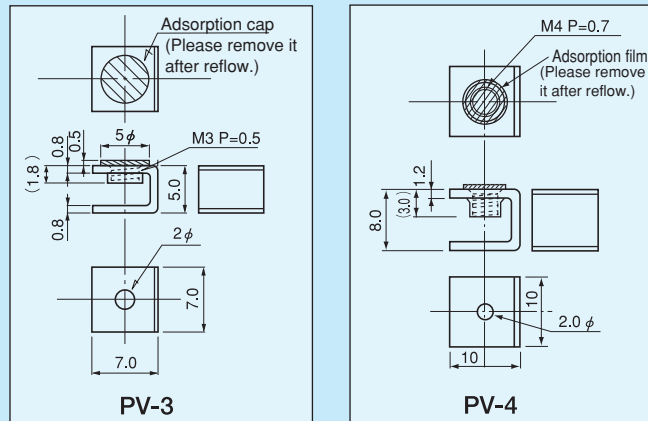
Example of usage



Recommended land diameter



Taping product



• Please remove the adsorption cap after reflow.
(Adsorption cap is not included for bulk products.)

Recommended cream solder thickness

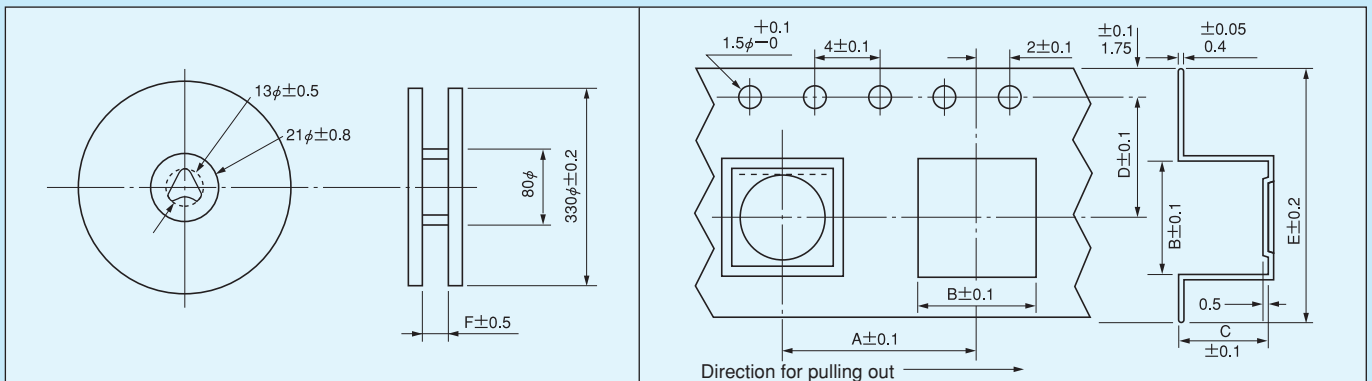
150 μ to 200 μ

Tightening torque

3kg.f.cm (29.4N-cm) or less (PV-3)

5kg.f.cm (49N-cm) or less (PV-4)

**Dimension of PV-3-T
Dimension of PV-4-T**



	A	B	C	D	E	F
PV-3-T	12	7.3	6.5	7.5	16	17.5
PV-4-T	16	10.3	8.5	11.5	24	25.5

For surface mounting