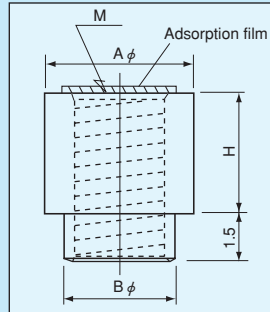


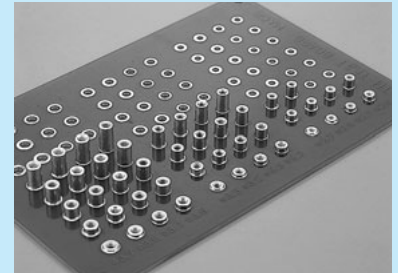
Through hole tap [TH-1.6 series]

- A chip mounter can be used for this spacer.
- A spacer can be fit on a PC board just by automatically loading it on the PC board and carrying out reflow.
- It can be fit from the part face, soldering face and both sides.
- Tape-and-reel has an adsorption film. Please remove by pushing it from the opposite side after reflow.
- The jig for removing adsorption films (Part number: TH-JIG) is available.
- Material: Brass
- Finish: Tin plating over nickel base
- Rated current:
 - TH-1.6-□-M1.4……12A
 - TH-1.6-□-M2 ……20A
 - TH-1.6-□-M2.5 M2.6……20A
 - TH-1.6-□-M3 ……30A
- Tightening torque
 - TH-1.6-□-M1.4……1.0kgf-cm (9.8N-cm) or less
 - TH-1.6-□-M2……1.5kgf-cm (14.7N-cm) or less
 - TH-1.6-□-M2.5 M2.6……3kgf-cm (29.4N-cm) or less
 - TH-1.6-□-M3……5kgf-cm (49N-cm) or less(X-direction)
3kgf-cm (29.4N-cm) or less(Y-direction)
- Adaptive printed board thickness: 1.6t or over
(There is no problem if it is used for other board thickness.)
- Please use the automatic mounter of automatic recognition type.

Dimension



Example of usage

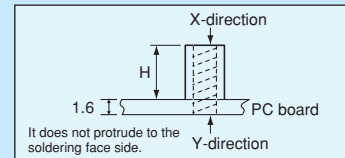


With the adsorption film removed after reflow



Condition of fitting the panel to the printed board

Condition of fitting to the PC board



- M1.4 P=0.3
- M2 P=0.4
- M2.5 P=0.45
- M2.6 P=0.45
- M3 P=0.5

To order bulk product

TH-1.6-0.5-M2-B

↑ Please specify -B.

- 100 pieces are included in 1 pack.
- Adsorption films are not put on the bulk products.

▲ Use of a through hole tap is limited to a through hole board. (It is impossible to use it for a one-sided board and non through hole board.)

Part number

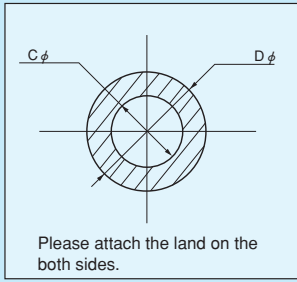
| Part number | A | B | H | M | Number of taps included in the reel |
|-----------------|-----|-----|-----|------|-------------------------------------|
| TH-1.6-2.0-M1.4 | 2.7 | 2.0 | 2.0 | 1.4 | 500pcs |
| TH-1.6-2.5-M1.4 | 2.7 | 2.0 | 2.5 | 1.4 | 400pcs |
| TH-1.6-3.0-M1.4 | 2.7 | 2.0 | 3.0 | 1.4 | 400pcs |
| TH-1.6-3.5-M1.4 | 2.7 | 2.0 | 3.5 | 1.4 | 350pcs |
| TH-1.6-4.0-M1.4 | 2.7 | 2.0 | 4.0 | 1.4 | 350pcs |
| TH-1.6-4.5-M1.4 | 2.7 | 2.0 | 4.5 | 1.4 | 300pcs |
| TH-1.6-5.0-M1.4 | 2.7 | 2.0 | 5.0 | 1.4 | 300pcs |
| TH-1.6-0.5-M2 | 4.0 | 2.5 | 0.5 | M2 | 450pcs |
| TH-1.6-1.0-M2 | 4.0 | 2.5 | 1.0 | M2 | 450pcs |
| TH-1.6-1.5-M2 | 4.0 | 2.5 | 1.5 | M2 | 450pcs |
| TH-1.6-2.0-M2 | 4.0 | 2.5 | 2.0 | M2 | 450pcs |
| TH-1.6-2.5-M2 | 4.0 | 2.5 | 2.5 | M2 | 350pcs |
| TH-1.6-3.0-M2 | 4.0 | 2.5 | 3.0 | M2 | 350pcs |
| TH-1.6-3.5-M2 | 4.0 | 2.5 | 3.5 | M2 | 350pcs |
| TH-1.6-4.0-M2 | 4.0 | 2.5 | 4.0 | M2 | 250pcs |
| TH-1.6-4.5-M2 | 4.0 | 2.5 | 4.5 | M2 | 250pcs |
| TH-1.6-5.0-M2 | 4.0 | 2.5 | 5.0 | M2 | 250pcs |
| TH-1.6-5.5-M2 | 4.0 | 2.5 | 5.5 | M2 | 350pcs |
| TH-1.6-6.0-M2 | 4.0 | 2.5 | 6.0 | M2 | 350pcs |
| TH-1.6-6.5-M2 | 4.0 | 2.5 | 6.5 | M2 | 300pcs |
| TH-1.6-7.0-M2 | 4.0 | 2.5 | 7.0 | M2 | 300pcs |
| TH-1.6-7.5-M2 | 4.0 | 2.5 | 7.5 | M2 | 300pcs |
| TH-1.6-8.0-M2 | 4.0 | 2.5 | 8.0 | M2 | 300pcs |
| TH-1.6-0.5-M2.5 | 4.5 | 3.1 | 0.5 | M2.5 | 450pcs |
| TH-1.6-1.0-M2.5 | 4.5 | 3.1 | 1.0 | M2.5 | 450pcs |
| TH-1.6-1.5-M2.5 | 4.5 | 3.1 | 1.5 | M2.5 | 450pcs |
| TH-1.6-2.0-M2.5 | 4.5 | 3.1 | 2.0 | M2.5 | 450pcs |
| TH-1.6-2.5-M2.5 | 4.5 | 3.1 | 2.5 | M2.5 | 350pcs |
| TH-1.6-3.0-M2.5 | 4.5 | 3.1 | 3.0 | M2.5 | 350pcs |
| TH-1.6-3.5-M2.5 | 4.5 | 3.1 | 3.5 | M2.5 | 350pcs |
| TH-1.6-4.0-M2.5 | 4.5 | 3.1 | 4.0 | M2.5 | 250pcs |
| TH-1.6-4.5-M2.5 | 4.5 | 3.1 | 4.5 | M2.5 | 250pcs |
| TH-1.6-5.0-M2.5 | 4.5 | 3.1 | 5.0 | M2.5 | 250pcs |
| TH-1.6-5.5-M2.5 | 4.5 | 3.1 | 5.5 | M2.5 | 350pcs |
| TH-1.6-6.0-M2.5 | 4.5 | 3.1 | 6.0 | M2.5 | 350pcs |
| TH-1.6-6.5-M2.5 | 4.5 | 3.1 | 6.5 | M2.5 | 300pcs |
| TH-1.6-7.0-M2.5 | 4.5 | 3.1 | 7.0 | M2.5 | 300pcs |
| TH-1.6-7.5-M2.5 | 4.5 | 3.1 | 7.5 | M2.5 | 300pcs |
| TH-1.6-8.0-M2.5 | 4.5 | 3.1 | 8.0 | M2.5 | 300pcs |
| TH-1.6-8.5-M2.5 | 4.5 | 3.1 | 8.5 | M2.5 | 250pcs |
| TH-1.6-9.0-M2.5 | 4.5 | 3.1 | 9.0 | M2.5 | 250pcs |
| TH-1.6-9.5-M2.5 | 4.5 | 3.1 | 9.5 | M2.5 | 250pcs |
| TH-1.6-10-M2.5 | 4.5 | 3.1 | 10 | M2.5 | 250pcs |
| TH-1.6-0.5-M2.6 | 4.5 | 3.1 | 0.5 | M2.6 | 450pcs |

| Part number | A | B | H | M | Number of taps included in the reel |
|-----------------|-----|-----|-----|------|-------------------------------------|
| TH-1.6-1.0-M2.6 | 4.5 | 3.1 | 1.0 | M2.6 | 450pcs |
| TH-1.6-1.5-M2.6 | 4.5 | 3.1 | 1.5 | M2.6 | 450pcs |
| TH-1.6-2.0-M2.6 | 4.5 | 3.1 | 2.0 | M2.6 | 450pcs |
| TH-1.6-2.5-M2.6 | 4.5 | 3.1 | 2.5 | M2.6 | 350pcs |
| TH-1.6-3.0-M2.6 | 4.5 | 3.1 | 3.0 | M2.6 | 350pcs |
| TH-1.6-3.5-M2.6 | 4.5 | 3.1 | 3.5 | M2.6 | 350pcs |
| TH-1.6-4.0-M2.6 | 4.5 | 3.1 | 4.0 | M2.6 | 250pcs |
| TH-1.6-4.5-M2.6 | 4.5 | 3.1 | 4.5 | M2.6 | 250pcs |
| TH-1.6-5.0-M2.6 | 4.5 | 3.1 | 5.0 | M2.6 | 250pcs |
| TH-1.6-5.5-M2.6 | 4.5 | 3.1 | 5.5 | M2.6 | 350pcs |
| TH-1.6-6.0-M2.6 | 4.5 | 3.1 | 6.0 | M2.6 | 350pcs |
| TH-1.6-6.5-M2.6 | 4.5 | 3.1 | 6.5 | M2.6 | 300pcs |
| TH-1.6-7.0-M2.6 | 4.5 | 3.1 | 7.0 | M2.6 | 300pcs |
| TH-1.6-7.5-M2.6 | 4.5 | 3.1 | 7.5 | M2.6 | 300pcs |
| TH-1.6-8.0-M2.6 | 4.5 | 3.1 | 8.0 | M2.6 | 300pcs |
| TH-1.6-8.5-M2.6 | 4.5 | 3.1 | 8.5 | M2.6 | 250pcs |
| TH-1.6-9.0-M2.6 | 4.5 | 3.1 | 9.0 | M2.6 | 250pcs |
| TH-1.6-9.5-M2.6 | 4.5 | 3.1 | 9.5 | M2.6 | 250pcs |
| TH-1.6-10-M2.6 | 4.5 | 3.1 | 10 | M2.6 | 250pcs |
| TH-1.6-0.5-M3 | 5.0 | 3.5 | 0.5 | M3 | 450pcs |
| TH-1.6-1.0-M3 | 5.0 | 3.5 | 1.0 | M3 | 450pcs |
| TH-1.6-1.5-M3 | 5.0 | 3.5 | 1.5 | M3 | 450pcs |
| TH-1.6-2.0-M3 | 5.0 | 3.5 | 2.0 | M3 | 450pcs |
| TH-1.6-2.5-M3 | 5.0 | 3.5 | 2.5 | M3 | 350pcs |
| TH-1.6-3.0-M3 | 5.0 | 3.5 | 3.0 | M3 | 350pcs |
| TH-1.6-3.5-M3 | 5.0 | 3.5 | 3.5 | M3 | 350pcs |
| TH-1.6-4.0-M3 | 5.0 | 3.5 | 4.0 | M3 | 250pcs |
| TH-1.6-4.5-M3 | 5.0 | 3.5 | 4.5 | M3 | 250pcs |
| TH-1.6-5.0-M3 | 5.0 | 3.5 | 5.0 | M3 | 250pcs |
| TH-1.6-5.5-M3 | 5.0 | 3.5 | 5.5 | M3 | 350pcs |
| TH-1.6-6.0-M3 | 5.0 | 3.5 | 6.0 | M3 | 350pcs |
| TH-1.6-6.5-M3 | 5.0 | 3.5 | 6.5 | M3 | 300pcs |
| TH-1.6-7.0-M3 | 5.0 | 3.5 | 7.0 | M3 | 300pcs |
| TH-1.6-7.5-M3 | 5.0 | 3.5 | 7.5 | M3 | 300pcs |
| TH-1.6-8.0-M3 | 5.0 | 3.5 | 8.0 | M3 | 300pcs |
| TH-1.6-8.5-M3 | 5.0 | 3.5 | 8.5 | M3 | 250pcs |
| TH-1.6-9.0-M3 | 5.0 | 3.5 | 9.0 | M3 | 250pcs |
| TH-1.6-9.5-M3 | 5.0 | 3.5 | 9.5 | M3 | 250pcs |
| TH-1.6-10-M3 | 5.0 | 3.5 | 10 | M3 | 250pcs |
| TH-1.6-11-M3 | 5.0 | 3.5 | 11 | M3 | 350pcs |
| TH-1.6-12-M3 | 5.0 | 3.5 | 12 | M3 | 350pcs |
| TH-1.6-13-M3 | 5.0 | 3.5 | 13 | M3 | 150pcs |
| TH-1.6-14-M3 | 5.0 | 3.5 | 14 | M3 | 150pcs |
| TH-1.6-15-M3 | 5.0 | 3.5 | 15 | M3 | 150pcs |
| TH-1.6-16-M3 | 5.0 | 3.5 | 16 | M3 | 150pcs |

For surface mounting

Through hole tap [TH-1.6 series] specification

Recommended fitting land

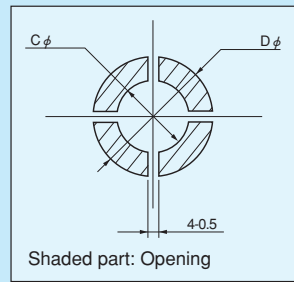


| Part number | ϕC | ϕD |
|---------------|----------|----------|
| TH-1.6-□-M1.4 | 2.2 | 4.0 |
| TH-1.6-□-M2 | 2.7 | 5.0 |
| TH-1.6-□-M2.5 | 3.3 | 5.5 |
| TH-1.6-□-M2.6 | 3.3 | 5.5 |
| TH-1.6-□-M3 | 3.7 | 6.0 |

• If it is bigger than the recommended fitting through hole (ϕC), the torque to the Y-direction (soldering face side) will be decreased. (As the flow of soldering to the through hole is reduced)

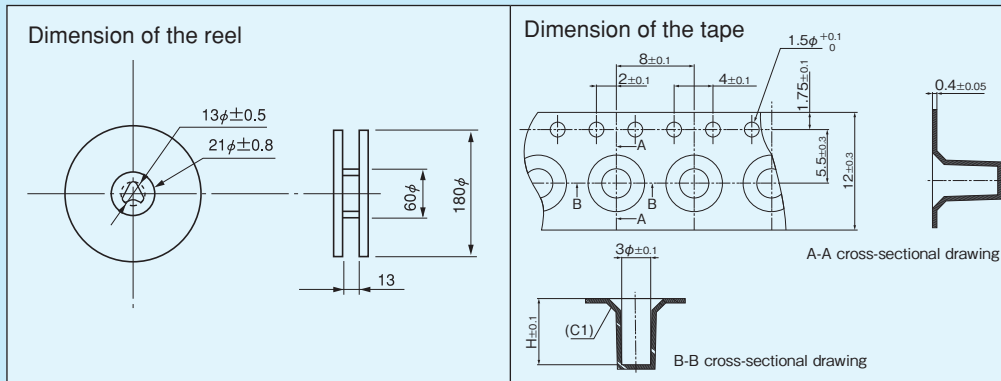
Recommended metal mask

(Recommended metal mask thickness: 150 μ to 200 μ)



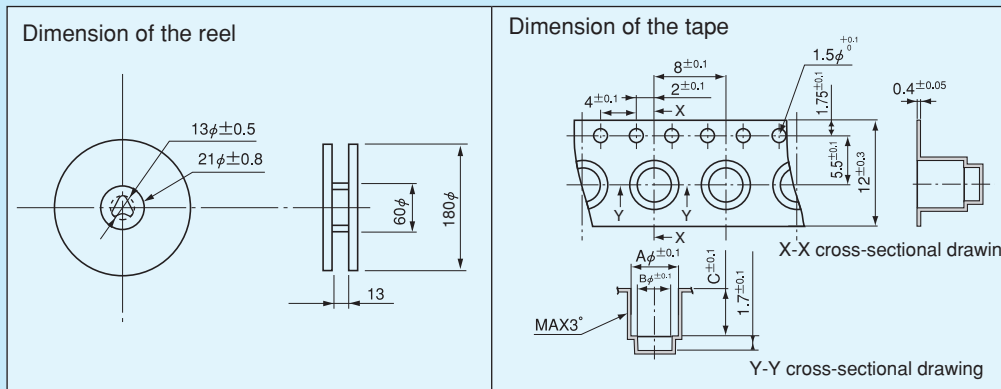
| Part number | ϕC | ϕD |
|---------------|----------|----------|
| TH-1.6-□-M1.4 | 2.2 | 4.0 |
| TH-1.6-□-M2 | 2.7 | 5.0 |
| TH-1.6-□-M2.5 | 3.3 | 5.5 |
| TH-1.6-□-M2.6 | 3.3 | 5.5 |
| TH-1.6-□-M3 | 3.7 | 6.0 |

Dimension of the reel (TH-1.6-□-M1.4)



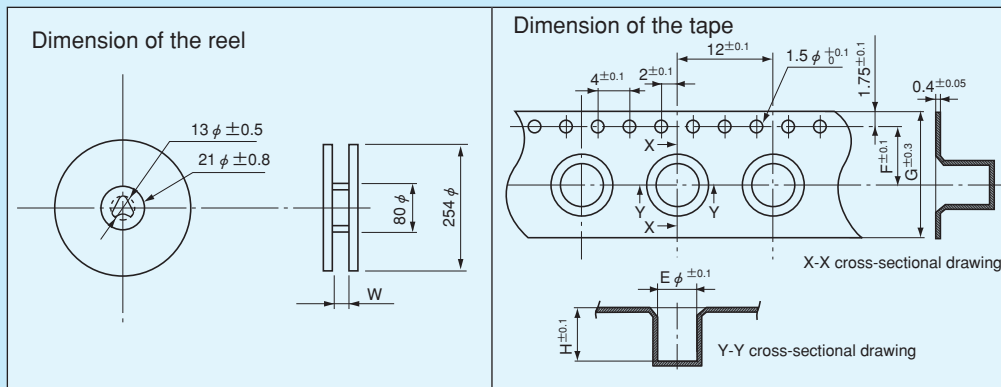
| | H |
|------------------------|-----|
| TH-1.6-2.0-M1.4 | 3.8 |
| TH-1.6-2.5 to 3.0-M1.4 | 4.8 |
| TH-1.6-3.5 to 4.0-M1.4 | 5.8 |
| TH-1.6-4.5 to 5.0-M1.4 | 6.8 |

Dimension of the reel (TH-1.6-0.5 to TH-1.6-5.0)



| | C | |
|-------------------|-----|-----|
| TH-1.6-0.5 to 1.0 | 1.5 | |
| TH-1.6-1.5 to 2.0 | 2.3 | |
| TH-1.6-2.5 to 3.5 | 3.8 | |
| TH-1.6-4.0 to 5.0 | 5.3 | |
| | A | B |
| M2 type | 4.3 | 2.8 |
| M2.5 type | 4.8 | 3.4 |
| M2.6 type | 4.8 | 3.4 |
| M3 type | 5.3 | 3.8 |

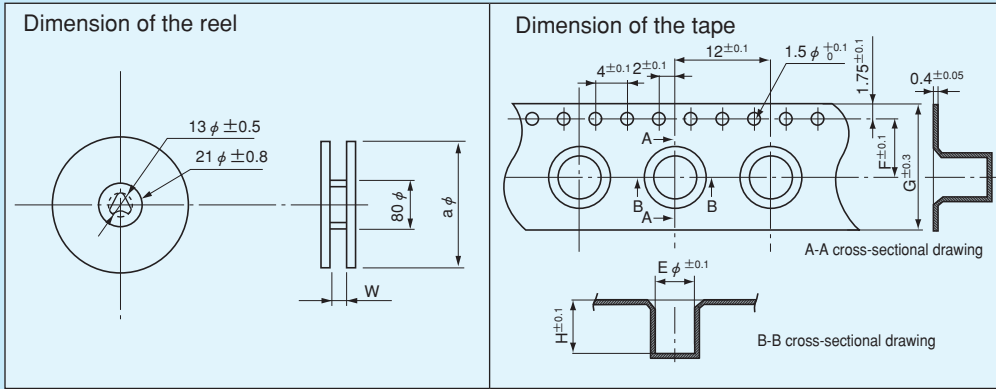
Dimension of the reel (TH-1.6-5.5 to TH-1.6-10)



| | H | W | |
|-------------------|------|------|----|
| TH-1.6-5.5 to 6.0 | 7.8 | 17.5 | |
| TH-1.6-6.5 to 7.0 | 8.8 | 17.5 | |
| TH-1.6-7.5 to 8.0 | 9.8 | 17.5 | |
| TH-1.6-8.5 to 9.0 | 10.8 | 17.5 | |
| TH-1.6-9.5 to 10 | 11.8 | 17.5 | |
| (M2.5, M2.6 type) | | | |
| TH-1.6-9.5 to 10 | 11.8 | 25.5 | |
| (M3 type) | | | |
| | E | F | G |
| M2 type | 4.3 | 7.5 | 16 |
| M2.5 type | 4.8 | 7.5 | 16 |
| M2.6 type | 4.8 | 7.5 | 16 |
| M3 type | 5.3 | 7.5 | 16 |
| (5.5 to 9.0) | | | |
| M3 type | 5.3 | 11.5 | 24 |
| (9.5 to 10) | | | |

Dimension of the through hole tap reel [THC-1.6 series]

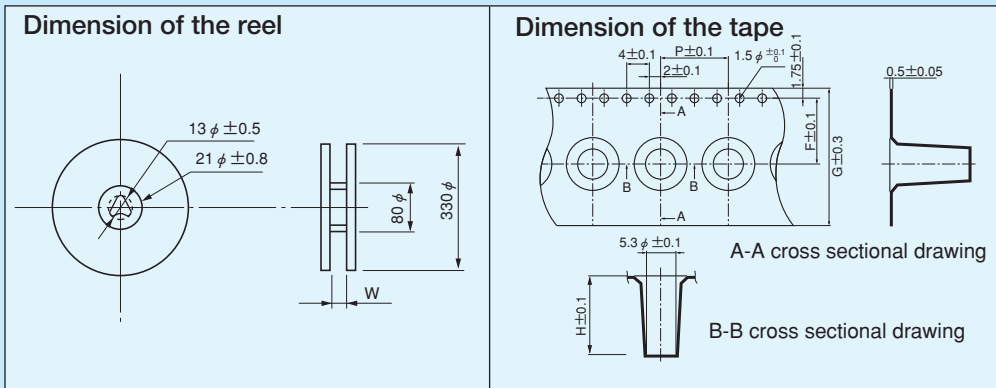
■ Dimension of the reel



| | H | W | a | | E | F | G |
|--------------------|------|------|-----|-----------------------|-----|------|----|
| THC-1.6-0.5 to 1.0 | 2.8 | 17.5 | 178 | 2 type (0.5 to 8.0) | 4.8 | 7.5 | 16 |
| THC-1.6-1.5 to 2.0 | 3.8 | 17.5 | 178 | 2.6 type (0.5 to 9.0) | 5.3 | 7.5 | 16 |
| THC-1.6-2.5 to 3.0 | 4.8 | 17.5 | 178 | 3 type (0.5 to 9.0) | 5.8 | 7.5 | 16 |
| THC-1.6-3.5 to 4.0 | 5.8 | 17.5 | 178 | 2.6 type (9.5 to 10) | 5.3 | 11.5 | 24 |
| THC-1.6-4.5 to 5.0 | 6.8 | 17.5 | 254 | 3 type (9.5 to 10) | 5.8 | 11.5 | 24 |
| THC-1.6-5.5 to 6.0 | 7.8 | 17.5 | 254 | | | | |
| THC-1.6-6.5 to 7.0 | 8.8 | 17.5 | 254 | | | | |
| THC-1.6-7.5 to 8.0 | 9.8 | 17.5 | 254 | | | | |
| THC-1.6-8.5 to 9.0 | 10.8 | 17.5 | 254 | | | | |
| THC-1.6-9.5 to 10 | 11.8 | 25.5 | 254 | | | | |

Through hole tap Dimension of the reel [TH-1.6-11~16-M3 series]

■ Dimension of the reel



| | H | W | P | F | G |
|--------------|------|------|----|------|----|
| TH-1.6-11-M3 | 13.8 | 25.5 | 12 | 11.5 | 24 |
| TH-1.6-12-M3 | 13.8 | 25.5 | 12 | 11.5 | 24 |
| TH-1.6-13-M3 | 15.8 | 33.5 | 20 | 14.2 | 32 |
| TH-1.6-14-M3 | 15.8 | 33.5 | 20 | 14.2 | 32 |
| TH-1.6-15-M3 | 17.8 | 33.5 | 20 | 14.2 | 32 |
| TH-1.6-16-M3 | 17.8 | 33.5 | 20 | 14.2 | 32 |

For surface mounting