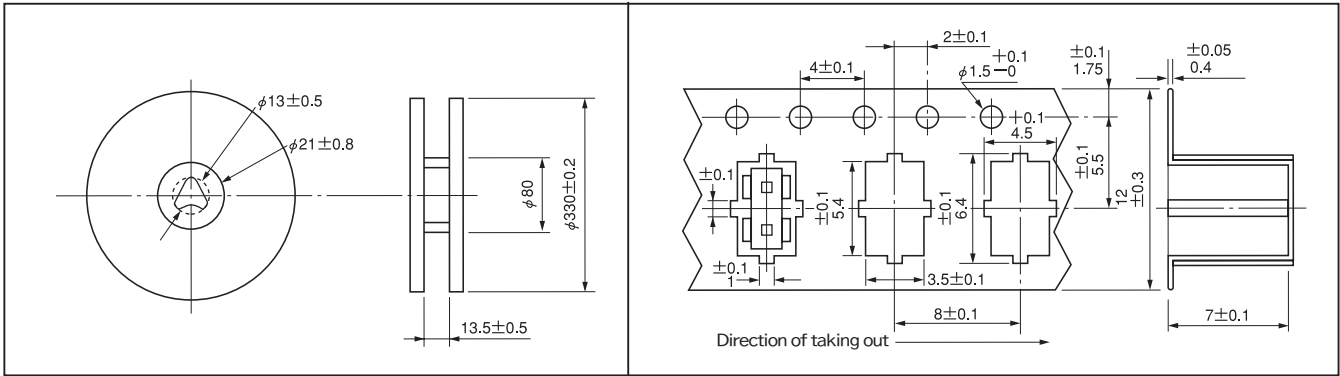
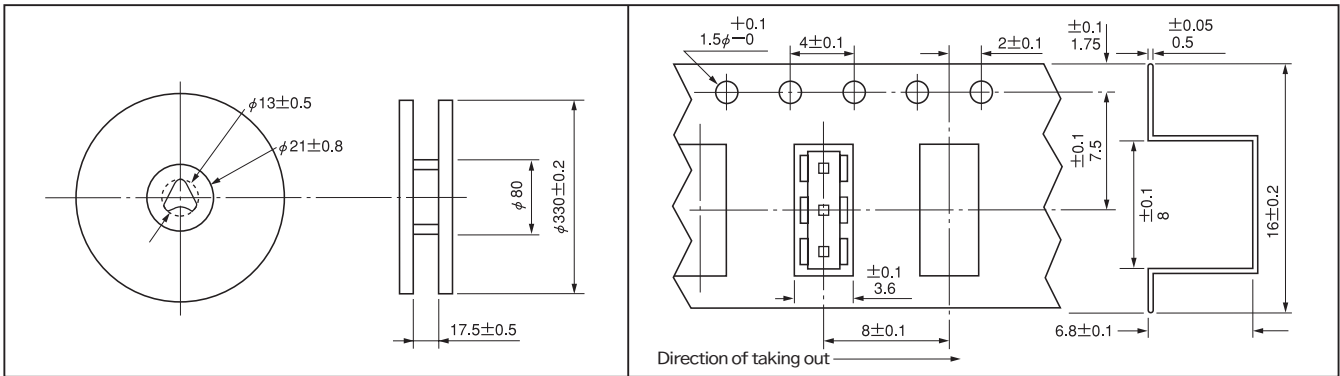


■ Dimension of HWP-2P-□-T



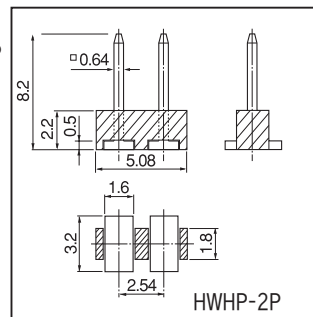
■ Dimension of HWP-3P-□-T



Wrapping terminal for surface mounting

HWHP-2P, HWHP-3P series

- This is a longer-pin version of HWP-2P, HWP-3P series.
- The specification is the same as that of HWP-2P, HWP-3P series.



■ Part No.

Part No.	Finish	Package	Packing quantity
HWHP-2P-G	Gold plating over nickel base	Bulk	100 pcs/pack
HWHP-2P-G-T	Gold plating over nickel base	Reel	600 pcs/pack
HWHP-2P-SN	Tin plating over nickel base	Bulk	100 pcs/pack
HWHP-2P-SN-T	Tin plating over nickel base	Reel	600 pcs/pack
HWHP-3P-G	Gold plating over nickel base	Bulk	100 pcs/pack
HWHP-3P-G-T	Gold plating over nickel base	Reel	600 pcs/pack
HWHP-3P-SN	Tin plating over nickel base	Bulk	100 pcs/pack
HWHP-3P-SN-T	Tin plating over nickel base	Reel	600 pcs/pack

