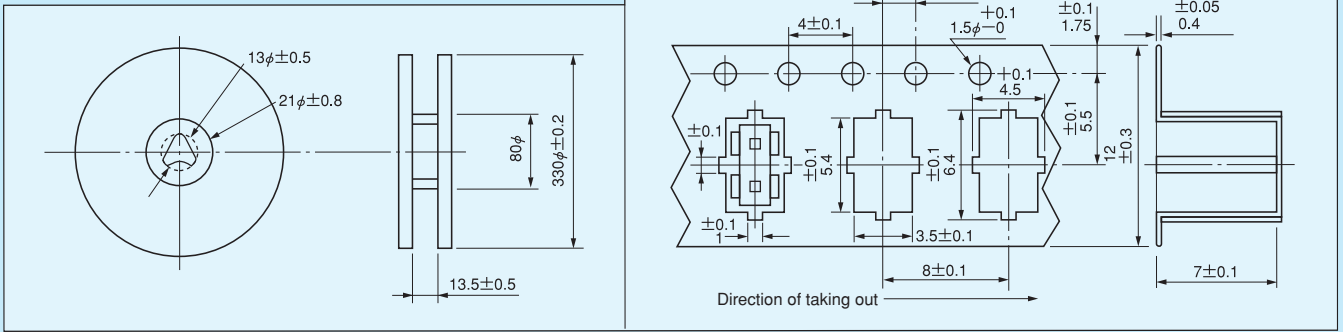
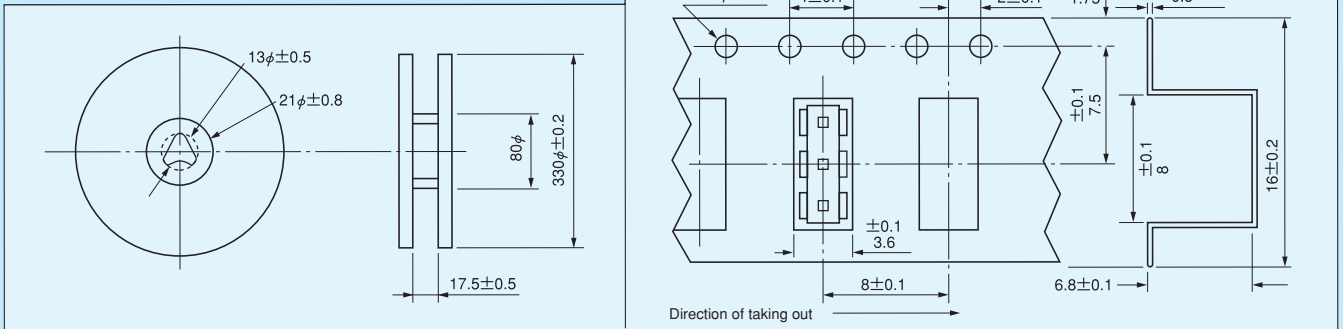


Dimension of HWP-2P-□-T

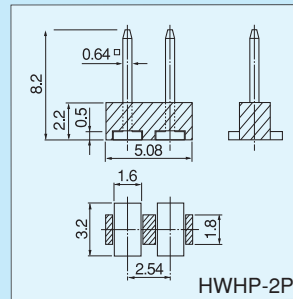


Dimension of HWP-3P-□-T



Wrapping terminal for surface mounting [HWHP-2P, 3P series]

- This is a longer-pin version of HWP-2P, 3P series.
- The specification is the same as that of HWP-2P, 3P series.



Part number

Part number	Finish	Package	Packing quantity
HWHP-2P-G	Gold plating over nickel base	Bulk	100pcs/pack
HWHP-2P-G-T	Gold plating over nickel base	Reel	600pcs/reel
HWHP-2P-SN	Tin plating over nickel base	Bulk	100pcs/pack
HWHP-2P-SN-T	Tin plating over nickel base	Reel	600pcs/reel
HWHP-3P-G	Gold plating over nickel base	Bulk	100pcs/pack
HWHP-3P-G-T	Gold plating over nickel base	Reel	600pcs/reel
HWHP-3P-SN	Tin plating over nickel base	Bulk	100pcs/pack
HWHP-3P-SN-T	Tin plating over nickel base	Reel	600pcs/reel

