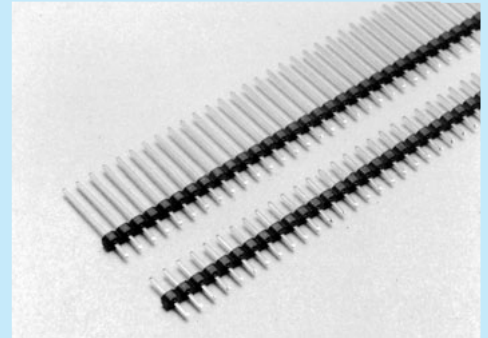


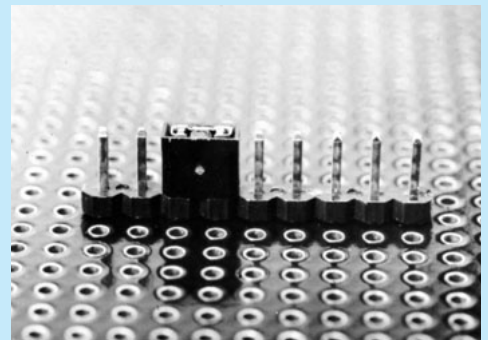
Wrapping terminal of connected type [WL series] (10pcs/pack)

- This wrapping terminal is connected with a pitch of 2.54 mm.
- By combining with a jumper socket (Part number: JS-1) , switching with a switch is available. In this case, the height from a PC board is 6 mm. (Combination of WL-1 and JS-1)
- As 34 pins are connected, please cut them to the desired number of poles by using a mold cutting nipper (Part number: MOC-3)
- Material Resin part: PBT black (UL94V-0)
Pin part: Phosphor bronze
- Finish: Pin part: Gold plating over nickel base
- Printed board fitting hole diameter: ϕ 1.0 to ϕ 1.1
- Rated current: 3A
- Rated voltage: 250V AC, DC
- Insulation resistance: 500M Ω or over
- Withstand voltage: 1000V AC, DC per minute
- Operating temperature range: -40 to +125 $^{\circ}$ C

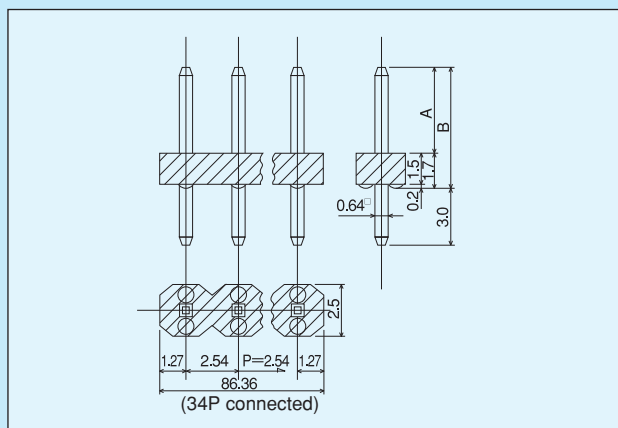
Part number	A	B
WL- 1	4.3	6
WL- 8	8	9.7
WL-10	10	11.7
WL-12	12	13.7
WL-14	14	15.7
WL-20	20	21.7



■ Example of usage



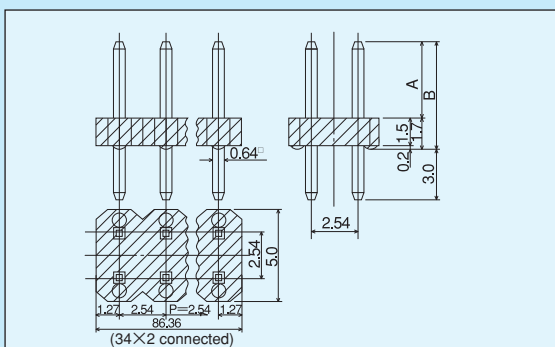
In the case that the jumper socket (JS-1) is used (combination of WL-1 and JS-1)



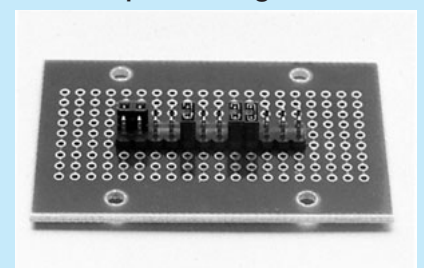
For wrapping

Wrapping terminal of two-row connected type [WLW series] (10pcs/pack)

- This is the two-row type of the WL series described above.
- Usage, etc. is the same as those of WL series.
- We will cut to the desired number of poles and deliver.



■ Example of usage



Jumper socket (JS-1) (Combination of WLW-1 and JS-1)

Part number	A	B
WLW- 1	4.3	6
WLW- 8	8	9.7
WLW-10	10	11.7
WLW-12	12	13.7
WLW-14	14	15.7

■ How to order:

WLW-1-10PW



Please fill in the number of poles on one side. (If the number of poles is not specified, we will deliver the maximum connected number, 34PW.)

* For an order of WLW-□-1PW, please order WL-1-2P.