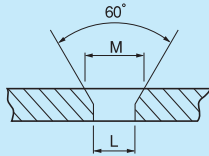
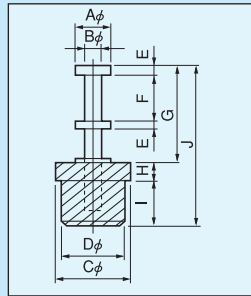


**Fluorine terminal [FT series] (100pcs/pack)**

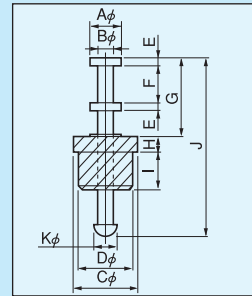
- This is a fluorine terminal.
- Material: Fluorine (milky white)  
: Brass, Tin plating over nickel base



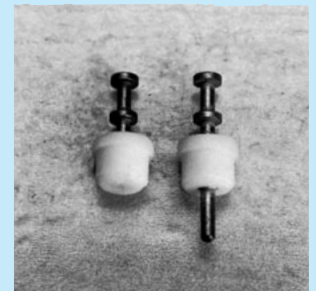
Drawing for the processing of a fitting hole



FT-1 type



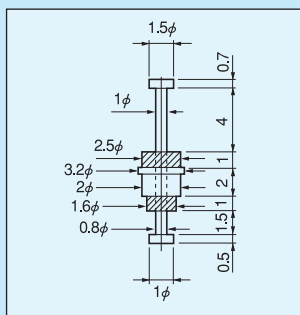
FT-2 type



| Part number | A   | B    | C    | D    | E    | F    | G    | H    | I    | J    | K   | L (φ) | M (φ) | Press-fitting tool |
|-------------|---|------|------|------|------|------|------|------|------|------|-----|-------|-------|--------------------|
| FT-1-1      | 1.52  | 0.76 | 3.18 | 2.36 | 0.51 | 1.52 | 4.32 | 1.02 | 2.54 | 7.87 |     | 2.18  | 2.92  | P-5                |
| FT-1-2      | 2.03  | 1.02 | 4.37 | 3.76 | 0.51 | 2.54 | 5.33 | 1.02 | 2.54 | 8.89 |     | 3.45  | 4.06  | P-6                |
| FT-2-1      | 2.03  | 1.02 | 3.18 | 2.36 | 0.51 | 2.54 | 5.33 | 1.02 | 2.54 | 12.7 | 1.5 | 2.18  | 2.92  |                    |
| FT-2-2      | 2.03  | 1.02 | 4.37 | 3.76 | 0.51 | 2.54 | 5.33 | 1.02 | 2.54 | 12.7 | 1.5 | 3.45  | 4.06  |                    |
| FT-3-1      | The dimensions are as shown in the drawing below.<br>Printed board fitting hole diameter: φ 2.2 |      |      |      |      |      |      |      |      |      |     |       |       |                    |

\* It is impossible to use the press-fitting tool edge chip P series without the main body PCX-1.

- FT-3-1 is the type which is fixed by soldering.



FT-3-1

