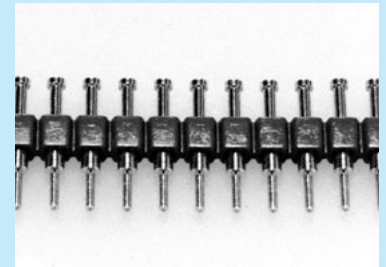


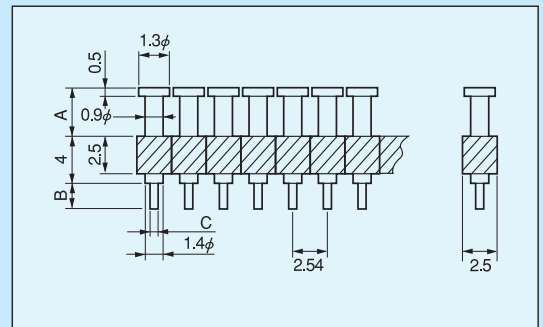
For check [SM series] (10pcs/pack)

- Please use this for checking of signal line, etc.
- Pitch: 2.54 mm, 20 pins connected
- You can cut it neatly by using a nipper for mold cutting (Part number: MOC-3)
- Material Pin: Brass、 Finish: Gold plating over nickel base
Resin: PBT (UL94V-0), red
- Operating temperature range: -40 to +125°C



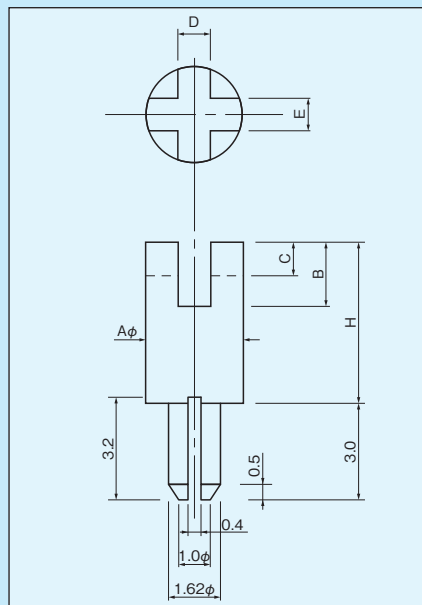
20 pins connected

Part number	A	B	C (φ)	Printed board fitting hole diameter
SM-1-1	2.0	3.0	0.65	0.8 φ
SM-1-2	3.5	3.0	0.65	0.8 φ
SM-1-3	5.5	3.0	0.65	0.8 φ
SM-6-1	2.0	2.5	0.45	0.6 φ
SM-6-2	3.5	2.5	0.45	0.6 φ

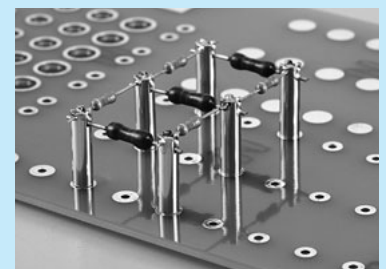


Terminal for bidirectional adjustment part [ATT series] (100pcs/pack)

- You can fit a part from both directions.
- Material: Brass
- Finish: Gold plating over nickel base



Example of usage



Part number

Part number	A	B	C	D	E	H	Recommended fitting hole
ATT-1-5	3 φ	2.0	1.0	1.0	1.0	5.0	1.6 φ TH 4 φ Land
7	∕	∕	∕	∕	∕	7.0	
10	∕	∕	∕	∕	∕	10	
15	∕	∕	∕	∕	∕	15	
ATT-2-7	4 φ	3.0	1.5	1.5	1.5	7.0	1.6 φ TH 5 φ Land
10	∕	∕	∕	∕	∕	10	
15	∕	∕	∕	∕	∕	15	

For check / For adjustment part