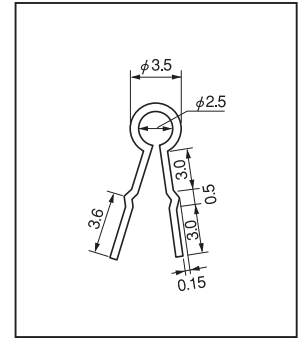
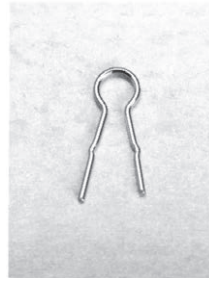


**Check terminal for oscilloscope**

Part No.: **LC-1-G, LC-1-S** (1000pcs/pack)

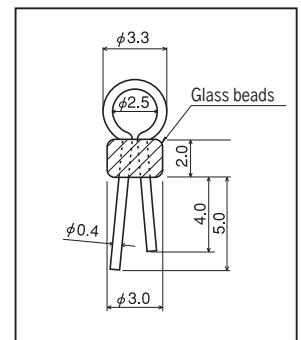
- The probe for oscilloscope can be hooked from any direction.
- You can maintain the height according to the convex portion.
- If you want to make the height lower, you can set it freely by making the fitting hole diameter larger (  $\phi$  1.4 or over).
- Material: Phosphor bronze:  $\phi$  0.5
- Finish: LC-1-G: Gold plating over nickel base  
LC-1-S: Tin plating over nickel base
- Printed board fitting hole diameter:  $\phi$  1.2
- Operating temperature range: - 40 to + 150°C



**Check terminal for oscilloscope**

Part No.: **LC-2-G, LC-2-S** (1000pcs/pack)

- The probe for oscilloscope can be hooked from any direction.
- With six types of glass beads color, you can classify the signal lines by using different colors.
- Material: Phosphor bronze:  $\phi$  0.4
- Finish: LC-2-G: Gold plating over nickel base  
LC-2-S: Tin plating over nickel base
- Printed board fitting hole diameter:  $\phi$  1.0
- Operating temperature range: - 40 to + 150°C
- Beads color type: BLACK, GREENISH BROWN, GREEN, SKY BLUE, PURPLE, WHITE



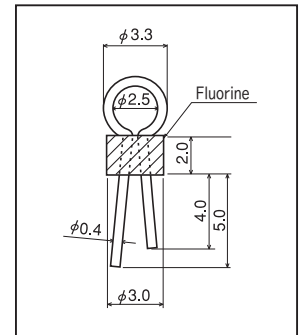
- How to order: LC-2-G WHITE



**Check terminal for oscilloscope**

Part No.: **LC-22-G, LC-22-S** (1000pcs/pack)

- Material: Metal part: Phosphor bronze,  $\phi$  0.4  
Resin part: Fluorine (UL94V-0)
- Finish: LC-22-G: Gold plating over nickel base  
LC-22-S: Tin plating over nickel base
- Printed board fitting hole diameter:  $\phi$  1.0
- Operating temperature range: - 40 to + 150°C
- Beads color type: RED, ORANGE, YELLOW, WHITE, BLACK



- How to order: LC-22-G RED

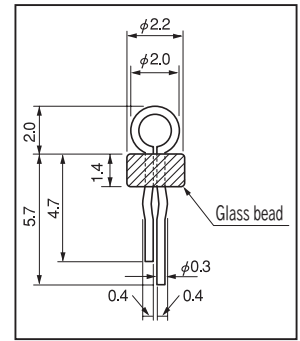
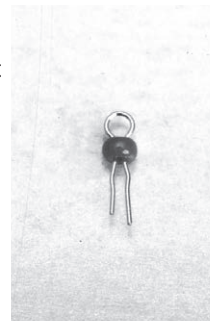


**Check terminal for oscilloscope**

Part No.: **LC-3-G, LC-3-S** (1000pcs/pack)

- You can put it with a pitch of 2.54 mm.
- The probe for oscilloscope can be hooked from any direction.
- With six types of glass beads color, you can classify the signal lines by using different colors.
- Material: Phosphor bronze:  $\phi$  0.3
- Finish: LC-3-G: Gold plating over nickel base  
LC-3-S: Tin plating over nickel base
- Printed board fitting hole diameter:  $\phi$  0.8
- Operating temperature range: - 40 to + 150°C
- Beads color type: BLACK, GREENISH BROWN, GREEN, SKY BLUE, PURPLE, WHITE
- How to order: LC-3-G BLACK

↑  
Color designation

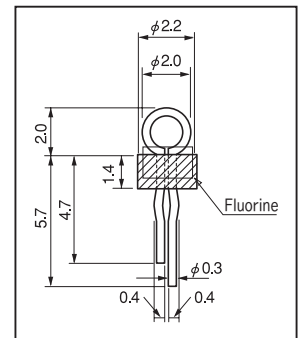
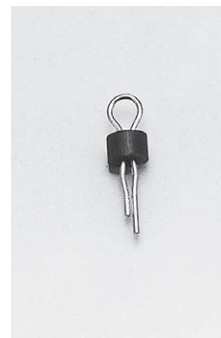


**Check terminal for oscilloscope**

Part No.: **LC-33-G, LC-33-S** (1000pcs/pack)

- Material: Metal part: Phosphor bronze,  $\phi$  0.3  
Resin part: Fluorine (UL94V-0)
- Finish: LC-33-G: Gold plating over nickel base  
LC-33-S: Tin plating over nickel base
- Printed board fitting hole diameter:  $\phi$  0.8
- Operating temperature range: - 40 to + 150°C
- Beads color type: RED, ORANGE, YELLOW, WHITE, BLACK
- How to order: LC-33-G RED

↑  
Color designation



**Check terminal for  $\phi$  0.3**

Part No.: **LC-4-G, LC-4-S** (1000pcs/pack)

- This check terminal is developed for a land with small diameter ( $\phi$  0.3 to  $\phi$  0.4 hole for upper and lower electrical connection)
- Material: Metal part: Phosphor bronze,  $\phi$  0.25.  
Resin part: Fluorine (UL94V-0)
- Finish: LC-4-G: Gold plating over nickel base  
LC-4-S: Tin plating over nickel base
- Printed board fitting hole diameter:  $\phi$  0.3 to  $\phi$  0.4
- Operating temperature range: - 40 to + 150°C
- Beads color type: RED, YELLOW, BLUE, WHITE, BLACK
- How to order: LC-4-G RED

↑  
Color designation

