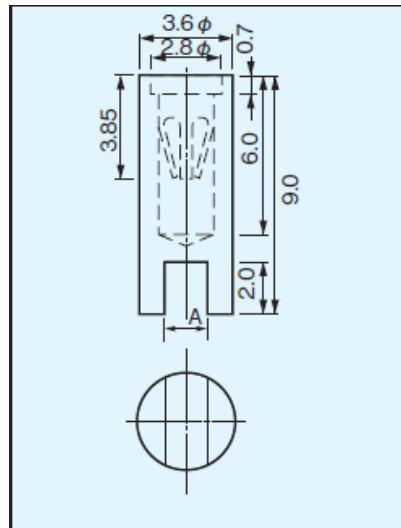
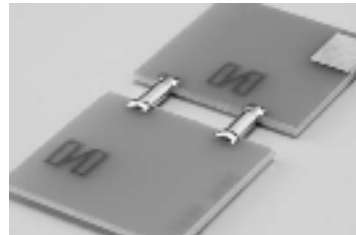
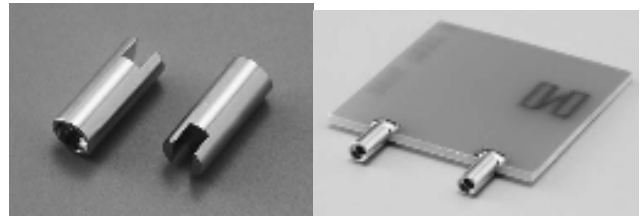


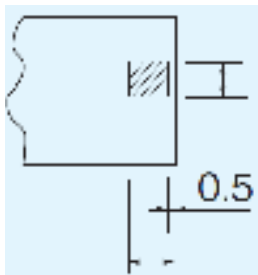
SD Series/Side Attachment Socket

For SMT

- MOQ(SPQ):100pcs/pack
- Slide from side of PCB and solder on the land
- Material:
 - Body:Brass
 - Contact:BeCu
- Finish:
 - Contact: Au plating over Ni base
 - Body:
 - G Au plating over Ni base
 - S Sn plating over Ni base
- Current Capacity:15A
- Contact Resistance:10m Ω and less
- Insertion/Pull Limit:100 times or over
- Force of Insertion/Pull:100g or over
- Operating Temperature:-40~+125°C



Land Pattern



4.5 or over

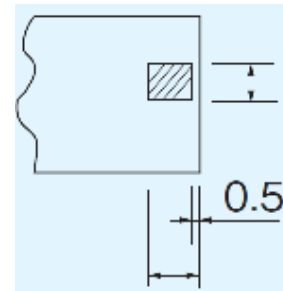
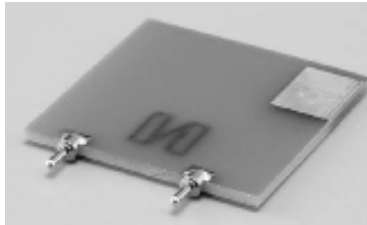
3.0 or over

P/N	A	Adaptive PCB Thickness
SD-15-9-1.0-G	1.1	1.0t
SD-15-9-1.0-S	1.1	1.0t
SD-15-9-1.6-G	1.7	1.6t
SD-15-9-1.6-S	1.7	1.6t

SDO Series/Side Attachment pin for SD series(for SMT)

- MOQ:100pcs/pack
- Material: Brass
- Finish: Au plating over Ni base
- Current Capacity:15A

P/N	A	Adaptive PCB Thickness
SDO-15-5-1.0	1.1	1.0t
SDO-15-5-1.6	1.7	1.6t



3.0 or over

