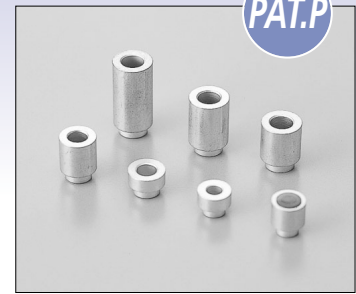


THC-1.6 Series / Non Threaded Spacer

- Can be mounted by automatic machine.
- Taping type has adsorption seal for vacuum pick. It needs to be removed after reflow.
- Material.....Brass
- Finish.....Plated Sn over Ni base
- Adaptive PCB Thickness.....1.6t (other PCB thickness applicable)
- Mounter should have automatic recognition system

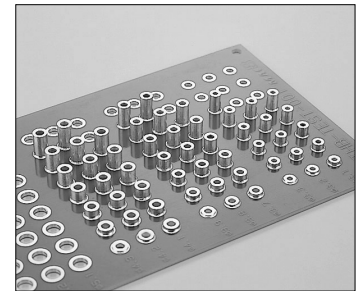
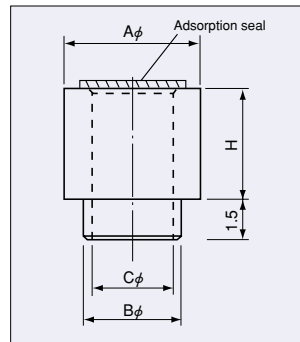
PAT.P



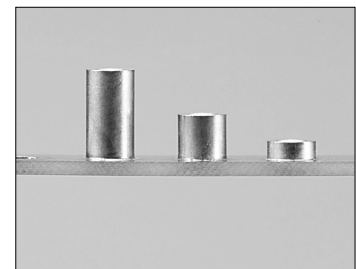
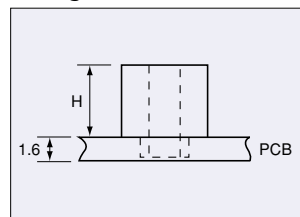
■ Product N/O

N/O	A	B	C	H	Pcs/reel
THC-1.6-0.5-2	4.5	3.0	2.1	0.5	450
THC-1.6-1.0-2	4.5	3.0	2.1	1.0	450
THC-1.6-1.5-2	4.5	3.0	2.1	1.5	300
THC-1.6-2.0-2	4.5	3.0	2.1	2.0	300
THC-1.6-2.5-2	4.5	3.0	2.1	2.5	250
THC-1.6-3.0-2	4.5	3.0	2.1	3.0	250
THC-1.6-3.5-2	4.5	3.0	2.1	3.5	200
THC-1.6-4.0-2	4.5	3.0	2.1	4.0	200
THC-1.6-4.5-2	4.5	3.0	2.1	4.5	400
THC-1.6-5.0-2	4.5	3.0	2.1	5.0	400
THC-1.6-5.5-2	4.5	3.0	2.1	5.5	350
THC-1.6-6.0-2	4.5	3.0	2.1	6.0	350
THC-1.6-6.5-2	4.5	3.0	2.1	6.5	300
THC-1.6-7.0-2	4.5	3.0	2.1	7.0	300
THC-1.6-7.5-2	4.5	3.0	2.1	7.5	300
THC-1.6-8.0-2	4.5	3.0	2.1	8.0	300
THC-1.6-0.5-2.6	5.0	3.6	2.7	0.5	450
THC-1.6-1.0-2.6	5.0	3.6	2.7	1.0	450
THC-1.6-1.5-2.6	5.0	3.6	2.7	1.5	300
THC-1.6-2.0-2.6	5.0	3.6	2.7	2.0	300
THC-1.6-2.5-2.6	5.0	3.6	2.7	2.5	250
THC-1.6-3.0-2.6	5.0	3.6	2.7	3.0	250
THC-1.6-3.5-2.6	5.0	3.6	2.7	3.5	200
THC-1.6-4.0-2.6	5.0	3.6	2.7	4.0	200
THC-1.6-4.5-2.6	5.0	3.6	2.7	4.5	400
THC-1.6-5.0-2.6	5.0	3.6	2.7	5.0	400
THC-1.6-5.5-2.6	5.0	3.6	2.7	5.5	350
THC-1.6-6.0-2.6	5.0	3.6	2.7	6.0	350
THC-1.6-6.5-2.6	5.0	3.6	2.7	6.5	300
THC-1.6-7.0-2.6	5.0	3.6	2.7	7.0	300
THC-1.6-7.5-2.6	5.0	3.6	2.7	7.5	300
THC-1.6-8.0-2.6	5.0	3.6	2.7	8.0	300
THC-1.6-8.5-2.6	5.0	3.6	2.7	8.5	250
THC-1.6-9.0-2.6	5.0	3.6	2.7	9.0	250
THC-1.6-9.5-2.6	5.0	3.6	2.7	9.5	250
THC-1.6-10-2.6	5.0	3.6	2.7	10	250
THC-1.6-0.5-3	5.5	4.0	3.1	0.5	450
THC-1.6-1.0-3	5.5	4.0	3.1	1.0	450
THC-1.6-1.5-3	5.5	4.0	3.1	1.5	300
THC-1.6-2.0-3	5.5	4.0	3.1	2.0	300
THC-1.6-2.5-3	5.5	4.0	3.1	2.5	250
THC-1.6-3.0-3	5.5	4.0	3.1	3.0	250
THC-1.6-3.5-3	5.5	4.0	3.1	3.5	200
THC-1.6-4.0-3	5.5	4.0	3.1	4.0	200
THC-1.6-4.5-3	5.5	4.0	3.1	4.5	400
THC-1.6-5.0-3	5.5	4.0	3.1	5.0	400
THC-1.6-5.5-3	5.5	4.0	3.1	5.5	350
THC-1.6-6.0-3	5.5	4.0	3.1	6.0	350
THC-1.6-6.5-3	5.5	4.0	3.1	6.5	300
THC-1.6-7.0-3	5.5	4.0	3.1	7.0	300
THC-1.6-7.5-3	5.5	4.0	3.1	7.5	300
THC-1.6-8.0-3	5.5	4.0	3.1	8.0	300
THC-1.6-8.5-3	5.5	4.0	3.1	8.5	250
THC-1.6-9.0-3	5.5	4.0	3.1	9.0	250
THC-1.6-9.5-3	5.5	4.0	3.1	9.5	250
THC-1.6-10-3	5.5	4.0	3.1	10	250

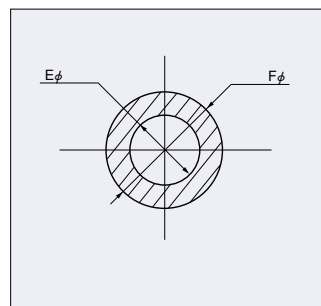
■ Dimensions



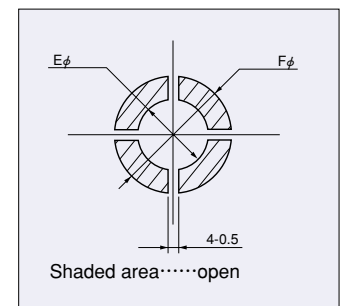
■ Height



■ Recommended Land Diameter



■ Recommended Metal mask (Recommended Metal Mask Thickness: 150~200 μm)



N/O	Eφ ^{+0.1} ₋₀	Fφ
THC-1.6-□-2	3.2	5.5
THC-1.6-□-2.6	3.8	6.0
THC-1.6-□-3	4.2	6.5

- You can order bulk type (no adsorption seal)
THC-1.6-7.5-2-B
 └ add -B for bulk type (100/package)

MAC8

No.1 distributor of MAC8

SHINDENKIZAI Co., LTD.

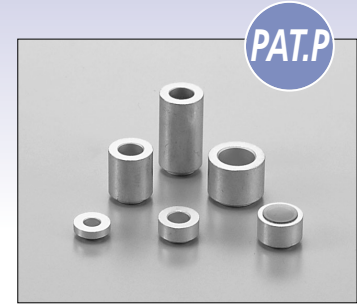
Contact

e-mail: info@mac8japan.com FAX: +81-3-3253-5965

<http://www.mac8japan.com>

THC-0.8 Series / Non Threaded Spacer

- Can be mounted by automatic machine.
- Taping type has adsorption seal for vacuum pick. It needs to be removed after reflow.
- Material.....Brass
- Finish.....Plated Sn over Ni base
- Adaptive PCB Thickness.....0.8t (other PCB thickness applicable)
- Mounter should have automatic recognition system

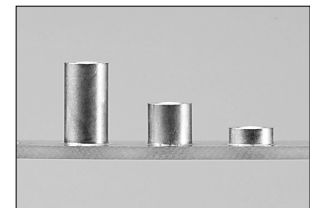
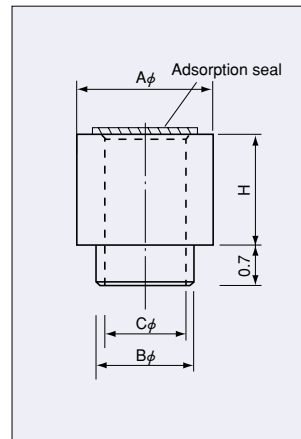


■ Product N/O

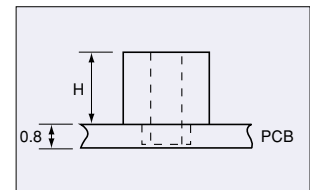
N/O	A	B	C	H	Pcs/reel
THC-0.8-0.5-2	4.5	3.0	2.1	0.5	450
THC-0.8-1.0-2	4.5	3.0	2.1	1.0	450
THC-0.8-1.5-2	4.5	3.0	2.1	1.5	300
THC-0.8-2.0-2	4.5	3.0	2.1	2.0	300
THC-0.8-2.5-2	4.5	3.0	2.1	2.5	250
THC-0.8-3.0-2	4.5	3.0	2.1	3.0	250
THC-0.8-3.5-2	4.5	3.0	2.1	3.5	200
THC-0.8-4.0-2	4.5	3.0	2.1	4.0	200
THC-0.8-4.5-2	4.5	3.0	2.1	4.5	400
THC-0.8-5.0-2	4.5	3.0	2.1	5.0	400
THC-0.8-5.5-2	4.5	3.0	2.1	5.5	350
THC-0.8-6.0-2	4.5	3.0	2.1	6.0	350
THC-0.8-6.5-2	4.5	3.0	2.1	6.5	300
THC-0.8-7.0-2	4.5	3.0	2.1	7.0	300
THC-0.8-7.5-2	4.5	3.0	2.1	7.5	300
THC-0.8-8.0-2	4.5	3.0	2.1	8.0	300
THC-0.8-0.5-2.6	5.0	3.6	2.7	0.5	450
THC-0.8-1.0-2.6	5.0	3.6	2.7	1.0	450
THC-0.8-1.5-2.6	5.0	3.6	2.7	1.5	300
THC-0.8-2.0-2.6	5.0	3.6	2.7	2.0	300
THC-0.8-2.5-2.6	5.0	3.6	2.7	2.5	250
THC-0.8-3.0-2.6	5.0	3.6	2.7	3.0	250
THC-0.8-3.5-2.6	5.0	3.6	2.7	3.5	200
THC-0.8-4.0-2.6	5.0	3.6	2.7	4.0	200
THC-0.8-4.5-2.6	5.0	3.6	2.7	4.5	400
THC-0.8-5.0-2.6	5.0	3.6	2.7	5.0	400
THC-0.8-5.5-2.6	5.0	3.6	2.7	5.5	350
THC-0.8-6.0-2.6	5.0	3.6	2.7	6.0	350
THC-0.8-6.5-2.6	5.0	3.6	2.7	6.5	300
THC-0.8-7.0-2.6	5.0	3.6	2.7	7.0	300
THC-0.8-7.5-2.6	5.0	3.6	2.7	7.5	300
THC-0.8-8.0-2.6	5.0	3.6	2.7	8.0	300
THC-0.8-8.5-2.6	5.0	3.6	2.7	8.5	250
THC-0.8-9.0-2.6	5.0	3.6	2.7	9.0	250
THC-0.8-9.5-2.6	5.0	3.6	2.7	9.5	250
THC-0.8-10-2.6	5.0	3.6	2.7	10	250
THC-0.8-0.5-3	5.5	4.0	3.1	0.5	450
THC-0.8-1.0-3	5.5	4.0	3.1	1.0	450
THC-0.8-1.5-3	5.5	4.0	3.1	1.5	300
THC-0.8-2.0-3	5.5	4.0	3.1	2.0	300
THC-0.8-2.5-3	5.5	4.0	3.1	2.5	250
THC-0.8-3.0-3	5.5	4.0	3.1	3.0	250
THC-0.8-3.5-3	5.5	4.0	3.1	3.5	200
THC-0.8-4.0-3	5.5	4.0	3.1	4.0	200
THC-0.8-4.5-3	5.5	4.0	3.1	4.5	400
THC-0.8-5.0-3	5.5	4.0	3.1	5.0	400
THC-0.8-5.5-3	5.5	4.0	3.1	5.5	350
THC-0.8-6.0-3	5.5	4.0	3.1	6.0	350
THC-0.8-6.5-3	5.5	4.0	3.1	6.5	300
THC-0.8-7.0-3	5.5	4.0	3.1	7.0	300
THC-0.8-7.5-3	5.5	4.0	3.1	7.5	300
THC-0.8-8.0-3	5.5	4.0	3.1	8.0	300
THC-0.8-8.5-3	5.5	4.0	3.1	8.5	250
THC-0.8-9.0-3	5.5	4.0	3.1	9.0	250
THC-0.8-9.5-3	5.5	4.0	3.1	9.5	250
THC-0.8-10-3	5.5	4.0	3.1	10	250
THC-0.8-0.5-4	7.0	5.5	4.5	0.5	450
THC-0.8-1.0-4	7.0	5.5	4.5	1.0	450
THC-0.8-1.5-4	7.0	5.5	4.5	1.5	350
THC-0.8-2.0-4	7.0	5.5	4.5	2.0	350
THC-0.8-2.5-4	7.0	5.5	4.5	2.5	250
THC-0.8-3.0-4	7.0	5.5	4.5	3.0	250

N/O	A	B	C	H	Pcs/reel
THC-0.8-3.5-4	7.0	5.5	4.5	3.5	200
THC-0.8-4.0-4	7.0	5.5	4.5	4.0	200
THC-0.8-4.5-4	7.0	5.5	4.5	4.5	450
THC-0.8-5.0-4	7.0	5.5	4.5	5.0	450
THC-0.8-5.5-4	7.0	5.5	4.5	5.5	300
THC-0.8-6.0-4	7.0	5.5	4.5	6.0	300
THC-0.8-6.5-4	7.0	5.5	4.5	6.5	250
THC-0.8-7.0-4	7.0	5.5	4.5	7.0	250
THC-0.8-7.5-4	7.0	5.5	4.5	7.5	200
THC-0.8-8.0-4	7.0	5.5	4.5	8.0	200
THC-0.8-8.5-4	7.0	5.5	4.5	8.5	200
THC-0.8-9.0-4	7.0	5.5	4.5	9.0	200
THC-0.8-9.5-4	7.0	5.5	4.5	9.5	200
THC-0.8-10-4	7.0	5.5	4.5	10	200

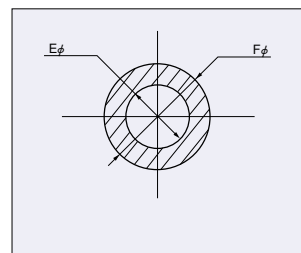
■ Dimensions



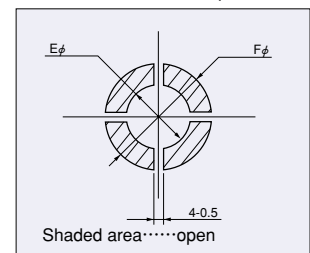
■ Height



■ Recommended Land Diameter



■ Recommended Metal mask (Recommended Metal mask Thickness:150~200 μm)



N/O	Eφ ^{+0.1} ₋₀	Fφ
THC-0.8-□-2	3.2	5.5
THC-0.8-□-2.6	3.8	6.0
THC-0.8-□-3	4.2	6.5
THC-0.8-□-4	5.7	8.0

- You can order bulk type (no adsorption seal)
THC-0.8-4.0-2-B
└─ add -B for bulk type (100/package)



No.1 distributor of MAC8

SHINDENKIZAI Co., LTD.

Contact

e-mail: info@mac8japan.com FAX: +81-3-3253-5965

<http://www.mac8japan.com>