

Threaded Spacer/TH-0.6, 0.8 Series



- This spacer is through hole mounted to the PCB.
Screws can be inserted from both the component and solder side.
Taped parts have an adsorption seal for vacuum pick.
It needs to be removed after reflow.

- Adaptive PCB Thickness....0.6t and over (TH-0.6),
0.8t and over (TH-0.8)
(applies to other PCB thickness)

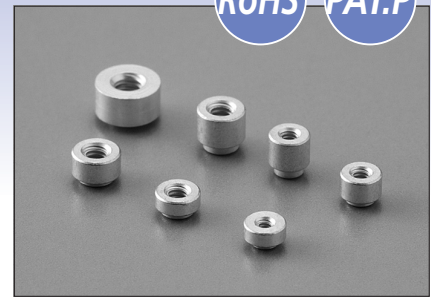
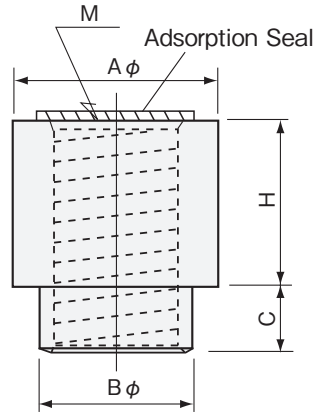
- Mounter should have automatic recognition system

- Material : Brass

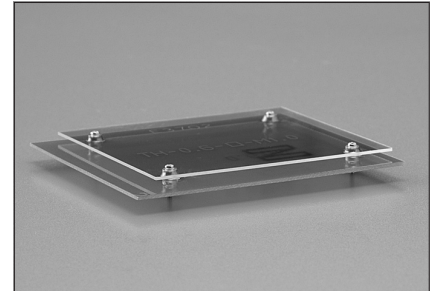
- Finish : Sn Plating over Ni

- Tightening Torque:

Tap Size	Tightening Torque
M1.0	0.3kgf-cm(2.94N-cm) and below
M1.2	0.6kgf-cm(5.88N-cm) and below
M1.4	1.0kgf-cm(9.8N-cm) and below
M1.6	1.5kgf-cm(14.7N-cm) and below
M1.7	1.5kgf-cm(14.7N-cm) and below
M2	1.5kgf-cm(14.7N-cm) and below



■ Usage example



■ Current Capacity

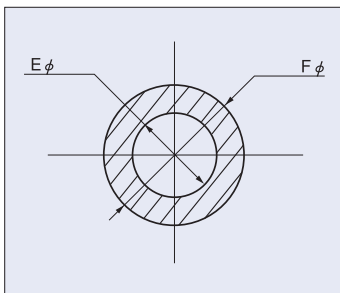
Tap Size	Current Capacity
M1.0	10A
M1.2	12A
M1.4	12A
M1.6	15A
M1.7	15A
M2	20A

■ P/N

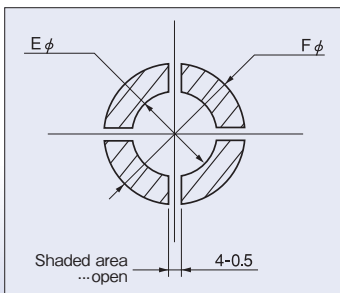
P/N	A	B	C	H	M	Package
TH-0.6-0.5-M1.0	2.5	1.6	0.45	0.5	M1.0	1000
1.0	2.5	1.6	0.45	1.0	M1.0	1000
1.5	2.5	1.6	0.45	1.5	M1.0	600
2.0	2.5	1.6	0.45	2.0	M1.0	600
2.5	2.5	1.6	0.45	2.5	M1.0	500
3.0	2.5	1.6	0.45	3.0	M1.0	500
TH-0.6-0.5-M1.2	2.5	1.8	0.45	0.5	M1.2	1000
1.0	2.5	1.8	0.45	1.0	M1.2	1000
1.5	2.5	1.8	0.45	1.5	M1.2	600
2.0	2.5	1.8	0.45	2.0	M1.2	600
2.5	2.5	1.8	0.45	2.5	M1.2	500
3.0	2.5	1.8	0.45	3.0	M1.2	500
TH-0.6-0.7-M1.4	2.7	2.0	0.45	0.7	M1.4	1000
1.0	2.7	2.0	0.45	1.0	M1.4	1000
1.5	2.7	2.0	0.45	1.5	M1.4	700
2.0	2.7	2.0	0.45	2.0	M1.4	700
2.5	2.7	2.0	0.45	2.5	M1.4	500
3.0	2.7	2.0	0.45	3.0	M1.4	500
TH-0.6-0.8-M1.6	3.0	2.2	0.45	0.8	M1.6	900
1.0	3.0	2.2	0.45	1.0	M1.6	900
1.5	3.0	2.2	0.45	1.5	M1.6	900
2.0	3.0	2.2	0.45	2.0	M1.6	600
2.5	3.0	2.2	0.45	2.5	M1.6	500
3.0	3.0	2.2	0.45	3.0	M1.6	500
TH-0.6-0.8-M1.7	3.0	2.3	0.45	0.8	M1.7	900
1.0	3.0	2.3	0.45	1.0	M1.7	900
1.5	3.0	2.3	0.45	1.5	M1.7	900
2.0	3.0	2.3	0.45	2.0	M1.7	600
2.5	3.0	2.3	0.45	2.5	M1.7	500
3.0	3.0	2.3	0.45	3.0	M1.7	500
TH-0.6-1.1-M2	4.0	2.5	0.45	1.1	M2	600
1.5	4.0	2.5	0.45	1.5	M2	600
2.0	4.0	2.5	0.45	2.0	M2	600
2.5	4.0	2.5	0.45	2.5	M2	450
3.0	4.0	2.5	0.45	3.0	M2	450
3.5	4.0	2.5	0.45	3.5	M2	450
4.0	4.0	2.5	0.45	4.0	M2	350
4.5	4.0	2.5	0.45	4.5	M2	350
5.0	4.0	2.5	0.45	5.0	M2	350

P/N	A	B	C	H	M	Package
TH-0.8-1.0-M1.0	2.5	1.6	0.7	1.0	M1.0	600
1.5	2.5	1.6	0.7	1.5	M1.0	600
2.0	2.5	1.6	0.7	2.0	M1.0	600
2.5	2.5	1.6	0.7	2.5	M1.0	500
3.0	2.5	1.6	0.7	3.0	M1.0	500
TH-0.8-1.0-M1.2	2.5	1.8	0.7	1.0	M1.2	600
1.5	2.5	1.8	0.7	1.5	M1.2	600
2.0	2.5	1.8	0.7	2.0	M1.2	600
2.5	2.5	1.8	0.7	2.5	M1.2	500
3.0	2.5	1.8	0.7	3.0	M1.2	500
TH-0.8-1.0-M1.4	2.7	2.0	0.7	1.0	M1.4	700
1.5	2.7	2.0	0.7	1.5	M1.4	700
2.0	2.7	2.0	0.7	2.0	M1.4	500
2.5	2.7	2.0	0.7	2.5	M1.4	500
3.0	2.7	2.0	0.7	3.0	M1.4	400
TH-0.8-0.6-M1.6	3.0	2.2	0.7	0.6	M1.6	900
1.0	3.0	2.2	0.7	1.0	M1.6	900
1.5	3.0	2.2	0.7	1.5	M1.6	600
2.0	3.0	2.2	0.7	2.0	M1.6	600
2.5	3.0	2.2	0.7	2.5	M1.6	500
3.0	3.0	2.2	0.7	3.0	M1.6	500
TH-0.8-0.6-M1.7	3.0	2.3	0.7	0.6	M1.7	900
1.0	3.0	2.3	0.7	1.0	M1.7	900
1.5	3.0	2.3	0.7	1.5	M1.7	600
2.0	3.0	2.3	0.7	2.0	M1.7	600
2.5	3.0	2.3	0.7	2.5	M1.7	500
3.0	3.0	2.3	0.7	3.0	M1.7	500
TH-0.8-1.0-M2	4.0	2.5	0.7	1.0	M2	450
1.5	4.0	2.5	0.7	1.5	M2	450
2.0	4.0	2.5	0.7	2.0	M2	450
2.5	4.0	2.5	0.7	2.5	M2	350
3.0	4.0	2.5	0.7	3.0	M2	350
3.5	4.0	2.5	0.7	3.5	M2	350
4.0	4.0	2.5	0.7	4.0	M2	250
4.5	4.0	2.5	0.7	4.5	M2	250
5.0	4.0	2.5	0.7	5.0	M2	250

■ Recommended Land Pad



■ Recommended Metal Mask



(Recommended Metal Mask Thickness:150~200μ)

TH-□-□-□-□	M	A	B	C	H	M	Package
TH-□-□-□-□	M1.0	1.8	3.5				
TH-□-□-□-□	M1.2	2.0	3.5				
TH-□-□-□-□	M1.4	2.2	4.0				
TH-□-□-□-□	M1.6	2.4	4.0				
TH-□-□-□-□	M1.7	2.5	4.0				
TH-□-□-□-□	M2	2.7	5.0				

※ For Through Hole PCB only
You can order bulk type (no adsorption seal)
TH-0.6-0.5-M1.0-B
add-B for bulk type (100/package)