

TH Series / Threaded Insert

Can Change through hole to threaded hole (M1.0, M1.2, M1.4, M1.6, M1.7, M2, M2.6, M3).
Taping type has adsorption seal for vacuum pick. It needs to be removed after reflow.

Material.....Brass

Finish.....Plated Sn over Ni base

Current Capacity

TH-0.8-M1.0..... 10A TH-1.6-M1.7..... 15A

TH-0.8-M1.2..... 12A TH-1.6-M2..... 20A

TH-0.8-M1.4..... 12A TH-1.6-M2.6..... 20A

TH-1.6-M1.6..... 15A TH-1.6-M3..... 30A

Tightening Torque

TH-0.8-M1.0..... 0.3kgf-cm(2.94N-cm)and below

TH-0.8-M1.2..... 0.6kgf-cm(5.88N-cm)and below

TH-0.8-M1.4..... 1.0kgf-cm(9.8N-cm)and below

TH-1.6-M1.6..... 1.5kgf-cm(14.7N-cm)and below

TH-1.6-M1.7..... 1.5kgf-cm(14.7N-cm)and below

TH-1.6-M2..... 1.5kgf-cm(14.7N-cm)and below

TH-1.6-M2.6..... 3kgf-cm(29.4N-cm)and below

TH-1.6-M3..... 5kgf-cm(49N-cm)and below(X-direction)

3kgf-cm(29.4N-cm)and below(Y-direction)

Adaptive PCB Thickness..... 1.6t and over(TH-1.6 series), 0.8t and over(TH-0.8series)
(other PCB thickness applicable)

Recommended Metal Mask Thickness..... 150 ~ 200 μm

Product N/O

N/O	A	B	C	D	M	Package
TH-0.8-M1.0	2.5	1.6	0.7	0.5	M1.0 P = 0.25	1000/reel
TH-0.8-M1.2	2.5	1.8	0.7	0.5	M1.2 P = 0.25	1000/reel
TH-0.8-M1.4	2.7	2.0	0.7	0.7	M1.4 P = 0.3	1000/reel
TH-1.6-M1.6	3.0	2.2	1.5	0.3	M1.6 P = 0.35	900/reel
TH-1.6-M1.7	3.0	2.3	1.5	0.3	M1.7 P = 0.35	900/reel
TH-1.6-M2	4.0	2.5	1.5	0.3	M2 P = 0.4	900/reel
TH-1.6-M2.6	4.5	3.1	1.5	0.3	M2.6 P = 0.45	900/reel
TH-1.6-M3	5.0	3.5	1.5	0.3	M3 P = 0.5	900/reel

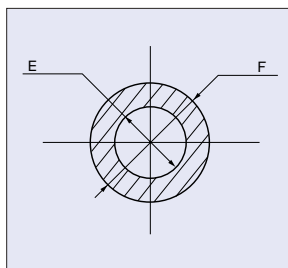
You can order bulk type(no adsorption seal)

TH-1.6-M3-B

└ add -B for bulk type(100/package)

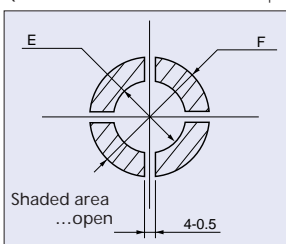
Mounter should have automatic recognition system

Recommended Land Diameter



Recommended Metal mask

(Recommended Metal Mask Thickness: 150 ~ 200 μm)

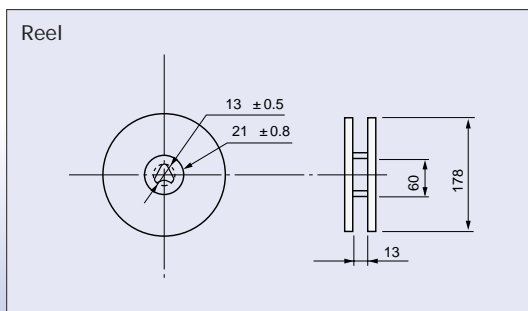


+0.1

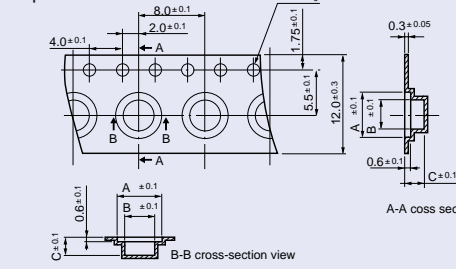
-0

N/O	E	F
TH-0.8-M1.0	1.8	3.5
TH-0.8-M1.2	2.0	3.5
TH-0.8-M1.4	2.2	4.0
TH-1.6-M1.6	2.4	4.0
TH-1.6-M1.7	2.5	4.0
TH-1.6-M2	2.7	5.0
TH-1.6-M2.6	3.3	5.5
TH-1.6-M3	3.7	6.0

Dimensions



Tape



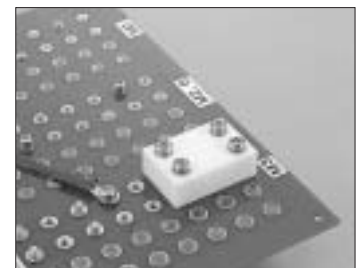
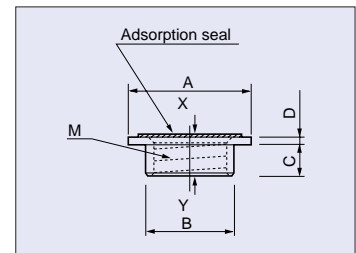
	A	B	C
TH-0.8-M1.0	2.7	2.7	1.6
TH-0.8-M1.2	2.7	2.7	1.6
TH-0.8-M1.4	2.9	2.9	1.8
TH-1.6-M1.6	3.2	3.2	2.2
TH-1.6-M1.7	3.2	3.2	2.2
TH-1.6-M2	4.5	2.8	2.3
TH-1.6-M2.6	5.0	3.4	2.3
TH-1.6-M3	5.5	3.8	2.3

For Thru Hole PCB only



PAT.P

Dimensions



Screws can be inserted both from component and from solder side

MAC8

No.1 distributor of MAC8

SHINDENKIZAI Co., LTD.

Contact

e-mail: sdk@mac8sdk.co.jp FAX: +81-3-3253-5965

http://www.mac8sdk.co.jp/index_e.html